

# Jinbo Marine

Marine &amp; Offshore Equipment Datasheet

PRODUCT DATASHEET

## OTHER MARINE VALVES & ACCESSORIES

# Marine Bronze Throttle Valve CB/T314-1994

ISO9001 Supplier

Class Certificate

Export Supply

Marine Flanged Bronze Throttle Valve is the throttle valve used on the marine sea water, fresh water and oil pipe system, controls the flow rate by changing the throttle section.

Specification: Design Standar...



### Key Highlights

Category	Other Marine Valves & Accessories
Standard	GB
Material	Bronze
Weight / Size	0.6Mpa Nominal Size:
Certificate	ABS, LR, BV, DNVGL, NK, KR, IRS, RMRS, CCS

We can supply according to your requirement, drawings, class certificate needs, and delivery schedule.

### Technical Specifications

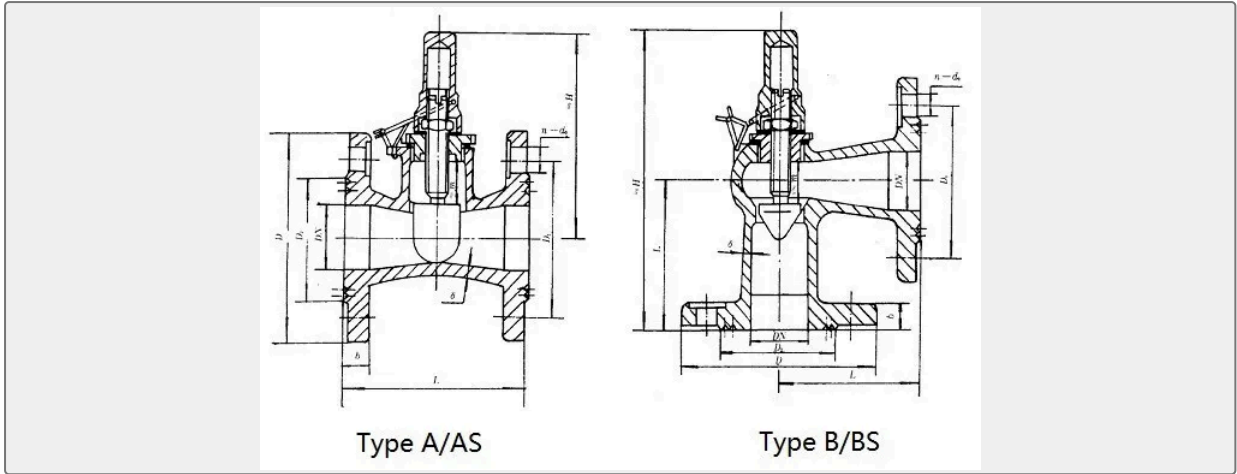
Category	Other Marine Valves & Accessories	Model / SKU	Marine-Bronze-Throttle-Valve-CB-T314-1994
Standard	GB	Material	Bronze
Weight / Size	0.6Mpa Nominal Size:	Certificate	ABS, LR, BV, DNVGL, NK, KR, IRS, RMRS, CCS
Warranty	12 Months unless specified otherwise	Origin	China

#### CONTENTS

- China Marine Bronze Throttle Valve CB/T314-1994:
- Main Size(mm):
- Type AS/BS:
- Specification:
- Type A/B:



# China Marine Bronze Throttle Valve CB/T314-1994:



Marine Flanged Bronze Throttle Valve is the throttle valve used on the marine sea water, fresh water and oil pipe system, controls the flow rate by changing the throttle section.

## Specification:

Design Standard: CB/T314-1994

Flange Standard: GB569 (Type A/B), GB2501(Type AS/BS)

Test Standard: GB600

Nominal Pressure: 0.6Mpa

Nominal Size: DN32~100

Material: Bronze

## Main Size(mm):

### Type A/B:

DN	L		H		Flange Size					Bolt	
	Type A	Type B	Type A	Type B	D	D1	D2	d0	b	n(pcs)	Th.
32	105	85	117	178	115	83	64	15	13	6	M14
40	115	90	125	182	125	93	74	15	14	6	M14
50	130	95	161	215	135	103	84	15	14	6	M14
65	150	105	179	230	155	123	104	15	14	6	M14
80	180	115	199	252	170	138	118	15	14	8	M14
100	200	125	234	307	190	158	138	15	14	8	M14

### Type AS/BS:

DN	L		H		Flange Size					Bolt	
	Type AS	Type BS	Type AS	Type BS	D	D1	D2	d0	b	n(pcs)	Th.
										6	M14

32	109	87	117	180	120	90	70	14	15	4	M12
40	119	92	125	184	130	100	80	14	16	4	M12
50	136	98	161	218	140	110	90	14	17	4	M12
65	156	108	179	233	160	130	110	14	17	4	M12
80	190	120	199	257	190	150	128	18	19	4	M16
100	212	131	234	313	210	170	148	18	20	4	M16