

Jinbo Marine

Marine & Offshore Equipment Datasheet

PRODUCT DATASHEET

GB MARINE CHECK VALVE

**Marine Bronze Wafer Check Valve
CB/T3819-1999**

ISO9001 Supplier

Class Certificate

Export Supply

Design Standard: CB/T3819-1999 Test Standard: GB600-91 Flange Size as per GB2501-89
Nominal Pressure(MPa) Nominal Diameter(mm) Applicable Medi...

**Key Highlights**

Category	GB Marine Check Valve
Standard	GB
Material	Bronze
Weight / Size	GB600-91 Flange Size as per GB2501-89 Nominal Pressure(MPa) Nominal Diam...
Certificate	CCS,BV,GL,NK,RINA,ABS,DN V,LR

We can supply according to your requirement, drawings, class certificate needs, and delivery schedule.

Technical Specifications

Category	GB Marine Check Valve	Model / SKU	Marine-Bronze-Wafer-Check-Valve-CB-T3819-1999
Standard	GB	Material	Bronze
Weight / Size	GB600-91 Flange Size as per GB2501-89 Nominal Pressure(MPa) Nominal Diameter(mm) Applicable Medium 1.0 50 ~ 500 Sea water, Fresh water Main Material:	Certificate	CCS,BV,GL,NK,RINA,ABS,DNV,LR
Warranty	12 Months unless specified otherwise	Origin	China

CONTENTS

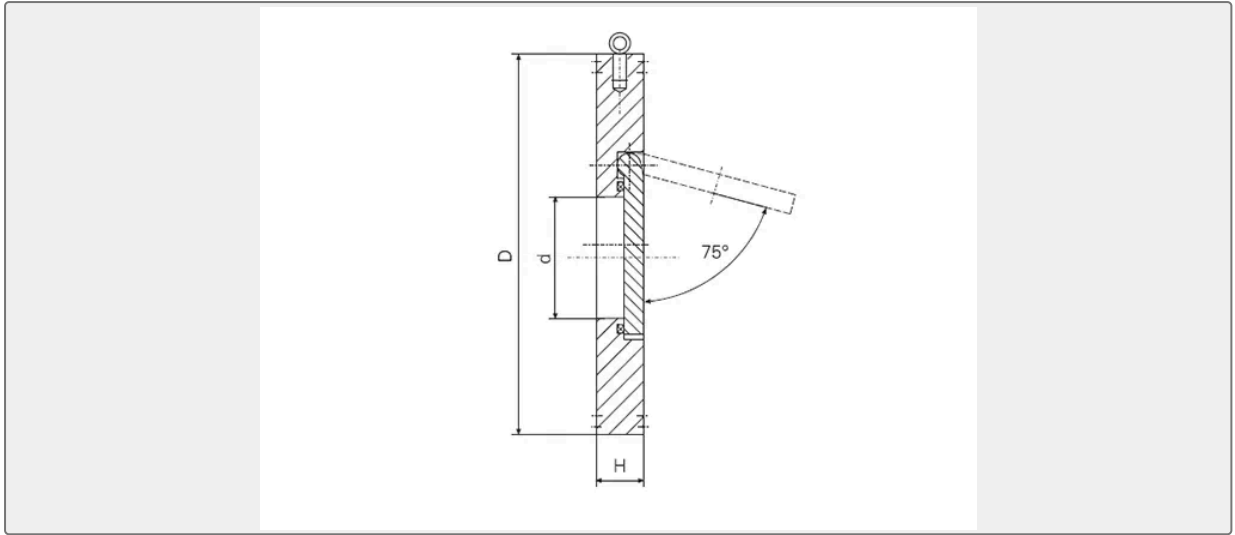
- China Marine Bronze Wafer Check Valve CB/T3819-1999:
- Main Size List(mm):

- Main Material:



0.039293s

China Marine Bronze Wafer Check Valve CB/T3819-1999:



Design Standard: CB/T3819-1999

Test Standard: GB600-91

Flange Size as per GB2501-89

Nominal Pressure(MPa)	Nominal Diameter(mm)	Applicable Medium
1.0	50 ~ 500	Sea water, Fresh water

Main Material:

Body-Bronze(QA19-2)

Disc-Bronze(ZQA19-2)

Seal Ring- Rubber (NBR)

Main Size List(mm):

DN	D	d	H	Weight(kg)
50	108	26	14	1.05
65	128	36	14	1.63
80	144	48	14	2.05
100	164	72	14	3.43
125	194	95	16	8.58
150	220	115	19	13.20
200	275	140	29	18.10
250	330	190	29	24.60
300	380	218	38	37.30
350	440	265	41	71.60



400	490	306	51	76.35
450	540	358	51	81.00
500	596	408	61	88.60