

# Jinbo Marine

Marine &amp; Offshore Equipment Datasheet

PRODUCT DATASHEET

## JIS MARINE STRAINER & FILTER

# Marine Bronze Y strainer JIS F7220Q 5K

ISO9001 Supplier

Class Certificate

Export Supply

Design Standard: JIS F7220Q-1996 Test Standard: JIS 7200-1996 Hydraulic Test Pressure:  
 Body- 1.05Mpa Flange size as per JIS B2220 - 5K Main Material: 1.Body: Bronze (BC6)  
 2.Bonn...



### Key Highlights

Category	JIS Marine Strainer & Filter
Standard	JIS
Material	Bronze
Weight / Size	Body- 1.05Mpa Flange size as per JIS B2220 - 5K Main Material:
Certificate	CCS,BV,GL,NK,RINA,ABS,DN V,LR

We can supply according to your requirement, drawings, class certificate needs, and delivery schedule.

### Technical Specifications

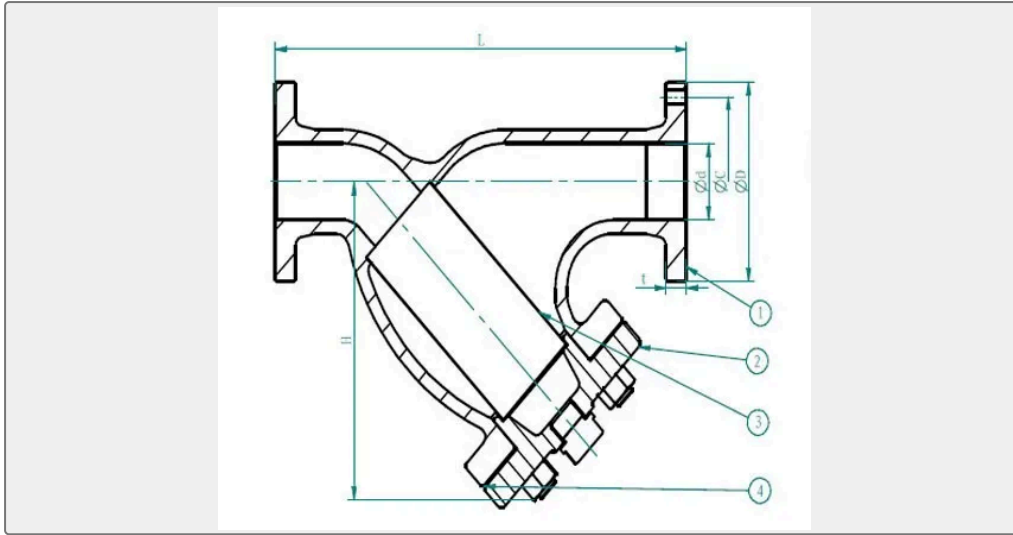
Category	JIS Marine Strainer & Filter	Model / SKU	Marine-Bronze-Y-strainer-JIS-F7220Q-5K
Standard	JIS	Material	Bronze
Weight / Size	Body- 1.05Mpa Flange size as per JIS B2220 - 5K Main Material:	Certificate	CCS,BV,GL,NK,RINA,ABS,DNV,LR
Warranty	12 Months unless specified otherwise	Origin	China

#### CONTENTS

- China Marine Bronze Y strainer JIS F7220Q 5K:
- Main Material:
- Main Size List(mm):



## China Marine Bronze Y strainer JIS F7220Q 5K:



Design Standard: JIS F7220Q-1996

Test Standard: JIS 7200-1996

Hydraulic Test Pressure: Body- 1.05Mpa

Flange size as per JIS B2220 - 5K

### Main Material:

- 1.Body: Bronze (BC6)
- 2.Bonnet: Bronze (BC6)
- 3.Strainer: Stainless Steel (SUS304)
- 4.Gasket: non-asbestos

### Main Size List(mm):

DN	d	L	D	C	Hole (n-d)	t	H
20	20	200	85	65	4-12	14	127
25	25	225	95	75	4-12	14	155
32	32	260	115	90	4-15	16	164
40	40	280	120	95	4-15	16	180
50	50	320	130	105	4-15	16	208
65	65	350	155	130	4-15	18	253
80	80	373	180	145	4-19	18	268

\*We also manufacture it with 10K.