

Jinbo Marine

Marine & Offshore Equipment Datasheet

PRODUCT DATASHEET

LOW PRESSURE AIR COOLED MARINE AIR COMPRESSOR

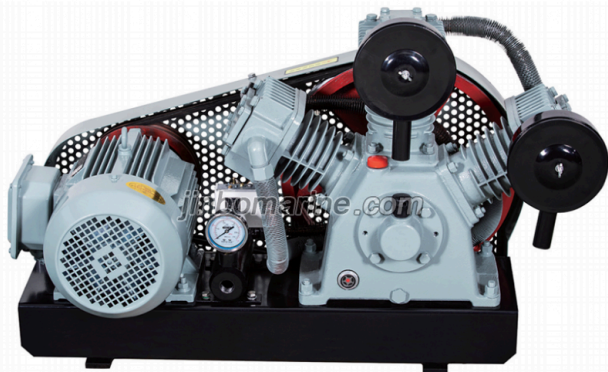
Marine CV-6/10F Marine Low Pressure Air Cooled Air Compressor

ISO9001 Supplier

Class Certificate

Export Supply

Description: 1. It adopts two-stage compression, small volume and low noise; 2. Automatic control, high and low pressure automatic start and stop, automatic unloading and sewage discharge; 3. Obtain the...



Key Highlights

Category	Low Pressure Air Cooled Marine Air Compressor
Standard	DIN
Weight / Size	Model Volume flow m3/min Exhaust pressure MPa Power kW Frequency Hz Rate...
Certificate	CCS

We can supply according to your requirement, drawings, class certificate needs, and delivery schedule.

Technical Specifications

Category	Low Pressure Air Cooled Marine Air Compressor	Model / SKU	Marine-CV-6-10F-Marine-Low-Pressure-Air-Cooled-Air-Compressor
Standard	DIN	Weight / Size	Model Volume flow m3/min Exhaust pressure MPa Power kW Frequency Hz Rated speed r/min Weight kg L x W x H mm CV-6/10F 6 1 1.5 50/60 930 70 740x350x380
Certificate	CCS	Warranty	12 Months unless specified otherwise
Origin	China		

CONTENTS

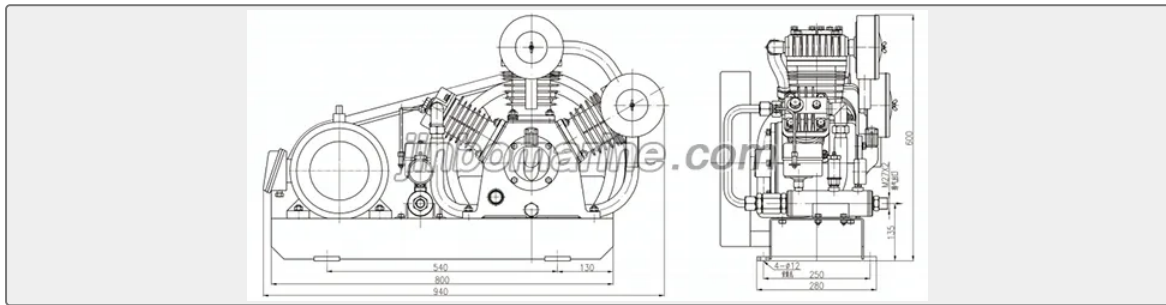
 Description:

 Data sheet:


Description:

1. It adopts two-stage compression, small volume and low noise;
2. Automatic control, high and low pressure automatic start and stop, automatic unloading and sewage discharge;
3. Obtain the factory type approval of classification society and provide the certification certificate of classification society;
4. Customized according to customer requirements.

Data sheet:



Model	Volume flow m ³ /min	Exhaust pressure MPa	Power kW	Frequency Hz	Rated speed r/min	Weight kg	L x W x H mm
CV-6/10F	6	1	1.5	50/60	930	70	740x350x380