

JIS MARINE STRAINER & FILTER

Marine Can Water Filter JIS 7121 10K (DN25-DN100)

ISO9001 Supplier

Class Certificate

Export Supply

Marine Can Water Filter JIS F7121 also can be called as marine sea water filter or marine basket water filter. There are S type, LA type, LB type. Design Standard: JIS F7121-1996 Test Standard: JIS 7200-1996 ...



Key Highlights

Category	JIS Marine Strainer & Filter
Standard	JIS
Material	cast iron
Weight / Size	Body- 0.3Mpa Flange size as per JIS B2220 - 10K Main Material:
Certificate	CCS, BV, ABS, GL, LR, DNV, NK, RINA

We can supply according to your requirement, drawings, class certificate needs, and delivery schedule.

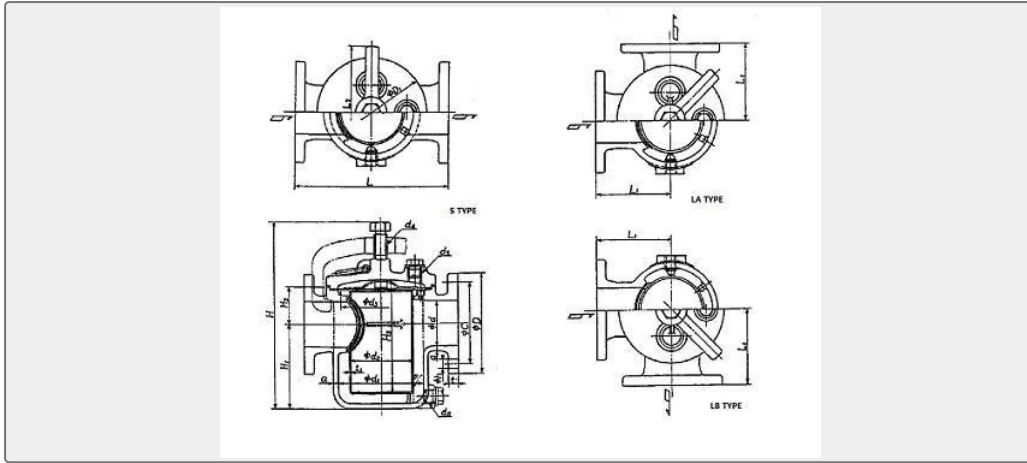
Technical Specifications

Category	JIS Marine Strainer & Filter	Model / SKU	Marine-Can-Water-Filter-JIS-7121-10K-DN25-DN100
Standard	JIS	Material	cast iron
Weight / Size	Body- 0.3Mpa Flange size as per JIS B2220 - 10K Main Material:	Certificate	CCS, BV, ABS, GL, LR, DNV, NK, RINA
Warranty	12 Months unless specified otherwise	Origin	China

CONTENTS

- China Marine Can Water Filter JIS 7121 10K (DN25-DN100):
- Main Size List(mm):
- Main Material:

China Marine Can Water Filter JIS 7121 10K (DN25-DN100):



Marine Can Water Filter JIS F7121 also can be called as marine sea water filter or marine basket water filer. There are S type, LA type, LB type.

Design Standard: JIS F7121-1996

Test Standard: JIS 7200-1996

Hydraulic Test Pressure: Body- 0.3Mpa

Flange size as per JIS B2220 - 10K

Main Material:

Body: Cast Iron (FC200)

Bonnet: Cast Iron (FC200)

Strainer: Stainless Steel (SUS304)

Gasket: non-asbestos

Yoke: FCD450

Air Vent Plug: Brass

Drain Plug: Brass

Main Size List(mm):

DN	d	L	L1	D	C	No.	h	t	H
25	25	170	85	155	120	4	19	20	191
32	32	190	95	175	140	4	19	22	218
40	40	190	95	185	150	8	19	22	218
50	50	200	100	210	175	8	19	24	239
65	65	250	125	250	210	8	19	24	306
80	80	270	135	280	240	8	23	26	341
100	100	320	160	330	290	12	23	26	401

