

Jinbo Marine

Marine & Offshore Equipment Datasheet

PRODUCT DATASHEET

JIS MARINE STRAINER & FILTER

Marine Can Water Filter JIS 7121 LA Type 5K (DN125-DN400)

ISO9001 Supplier

Class Certificate

Export Supply

Marine Can Water Filter JIS F7121 also can be called as marine sea water filter or marine basket water filter. Design Standard: JIS F7121-1996 Test Standard: JIS 7200-1996 Hydraulic Test Pressure: Body- ...



Key Highlights

Category	JIS Marine Strainer & Filter
Standard	JIS
Material	Cast Iron
Weight / Size	Body- 0.3Mpa Flange size as per JIS B2220 - 5K Main Material:
Certificate	CCS, BV, ABS, GL, LR, DNV, NK,RINA

We can supply according to your requirement, drawings, class certificate needs, and delivery schedule.

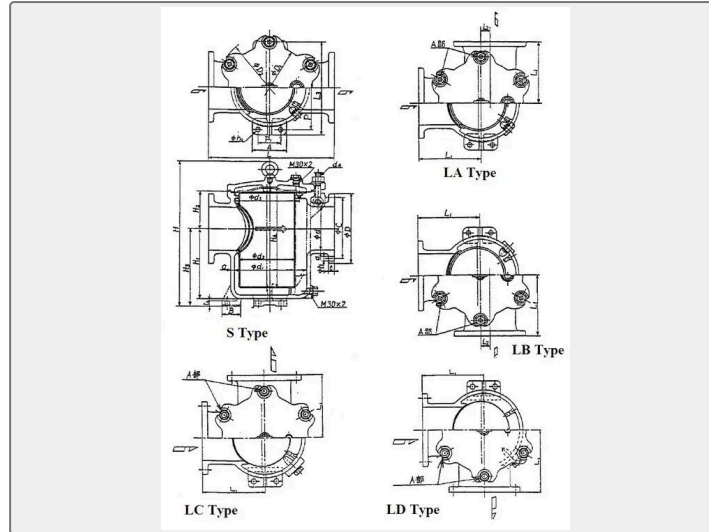
Technical Specifications

Category	JIS Marine Strainer & Filter	Model / SKU	Marine-Can-Water-Filter-JIS-7121-LA-Type-5K-DN125-DN400
Standard	JIS	Material	Cast Iron
Weight / Size	Body- 0.3Mpa Flange size as per JIS B2220 - 5K Main Material:	Certificate	CCS, BV, ABS, GL, LR, DNV, NK,RINA
Warranty	12 Months unless specified otherwise	Origin	China

CONTENTS

- China Marine Can Water Filter JIS 7121 LA Type 5K (DN125-DN400):
- Main Size List(mm):
- Main Material:

China Marine Can Water Filter JIS 7121 LA Type 5K (DN125-DN400):



Marine Can Water Filter JIS F7121 also can be called as marine sea water filter or marine basket water filer.

Design Standard: JIS F7121-1996

Test Standard: JIS 7200-1996

Hydraulic Test Pressure: Body- 0.3Mpa

Flange size as per JIS B2220 - 5K

Main Material:

Body: Cast Iron (FC200)

Bonnet: Cast Iron (FC200)

Strainer: Stainless Steel (SUS304)

Gasket: non-asbestos

Yoke: FCD450

Air Vent Plug: Brass

Drain Plug: Brass

Main Size List(mm):

DN	d	L	L1	D	C	h	t	H
125	125	400	200	235	200	19	20	485
150	150	460	230	265	230	19	22	575
200	200	550	275	320	280	23	24	665
250	250	680	340	385	345	23	26	825
300	300	760	380	430	390	23	28	920
350	350	820	410	480	435	25	30	1030

400	400	880	440	540	495	25	30	1135
-----	-----	-----	-----	-----	-----	----	----	------