

Jinbo Marine

Marine & Offshore Equipment Datasheet

PRODUCT DATASHEET

JIS MARINE AIR VENT HEAD

Marine Cast Iron 53ON Air Vent Head

Air Vent Head can be called as air pipe head, is used for the ventilation of the oil tank or water tank on the vessel. Design Standard: JIS F3012-1990 Test Standard: JIS 7400-1996 Flange size as per JIS...

ISO9001 Supplier

Class Certificate

Export Supply



Key Highlights

Category	JIS Marine Air Vent Head
Standard	JIS
Material	cast iron
Weight / Size	JIS 7400-1996 Flange size as per JIS B2220 - 5K * The flange size also c...
Certificate	CCS,BV,GL,NK,RINA,ABS,DNV

We can supply according to your requirement, drawings, class certificate needs, and delivery schedule.

Technical Specifications

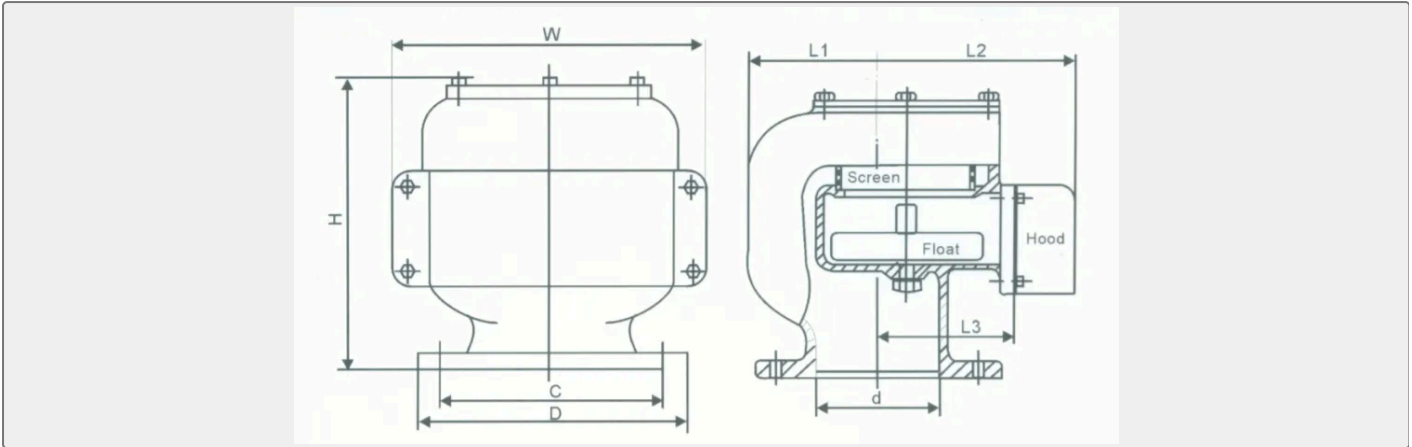
Category	JIS Marine Air Vent Head	Model / SKU	Marine-Cast-Iron-53ON-Air-Vent-Head
Standard	JIS	Material	cast iron
Weight / Size	JIS 7400-1996 Flange size as per JIS B2220 - 5K * The flange size also can be manufactured according to 10K, 16K.	Certificate	CCS,BV,GL,NK,RINA,ABS,DNV
Warranty	12 Months unless specified otherwise	Origin	China

CONTENTS

- China Marine Cast Iron 53ON Air Vent Head:
- Main Material:
- Function of Air Vent Head:
- Main Size List(mm):



China Marine Cast Iron 53ON Air Vent Head:



Air Vent Head can be called as air pipe head, is used for the ventilation of the oil tank or water tank on the vessel.

Design Standard: JIS F3012-1990

Test Standard: JIS 7400-1996

Flange size as per JIS B2220 - 5K

* The flange size also can be manufactured according to 10K, 16K.

Function of Air Vent Head:

Air Vent Head (Air Pipe Head) is check valve used for the ventilation system of oil tank or water tank. It keeps the tank pressure as the design pressure by breathing or inhaling. When the pressure is high, it breathes. When the pressure is low, it inhales. And it also have the function of preventing the sea water, rain, insect, mouse and spark into the tank.

Main Material:

Body: FC200/FCD450 (Cast Iron/Nodular Iron)

Float Disc: SUS304 (Stainless Steel)

Rubber Ring: NBR

Screen: SUS304 (Stainless Steel)

Cover: Carbon Steel with Galv

Main Size List(mm):

Nominal Size	d	L1	L2	L3	H	D	C	W	Weight (kgs)
50	50	75	103	75	180	130	105	135	7
65	65	85	120	85	210	155	130	155	9
80	80	90	153	100	245	180	145	190	14
100	100	110	160	110	270	200	165	225	16
125	125	130	195	130	310	235	200	265	23
150	150	155	225	150	355	265	230	300	33

200	200	200	295	180	440	320	280	400	56
-----	-----	-----	-----	-----	-----	-----	-----	-----	----

