

# Jinbo Marine

Marine &amp; Offshore Equipment Datasheet

PRODUCT DATASHEET

## JIS MARINE AIR VENT HEAD

# Marine Cast Iron Air Vent Head JIS-KS91A-121(DN50-DN80)

ISO9001 Supplier

Class Certificate

Export Supply

Air Vent Head also can be called as air pipe head, is used for the ventilation of the oil tank or water tank on the vessel. Test Standard: JIS 7400-1996 Flange size as per JIS B2220 - 5K \* The flange si...



### Key Highlights

Category	JIS Marine Air Vent Head
Standard	JIS
Material	cast iron
Weight / Size	JIS 7400-1996 Flange size as per JIS B2220 - 5K * The flange size also c...
Certificate	CCS,BV,GL,NK,RINA,ABS,DN V,LR

We can supply according to your requirement, drawings, class certificate needs, and delivery schedule.

### Technical Specifications

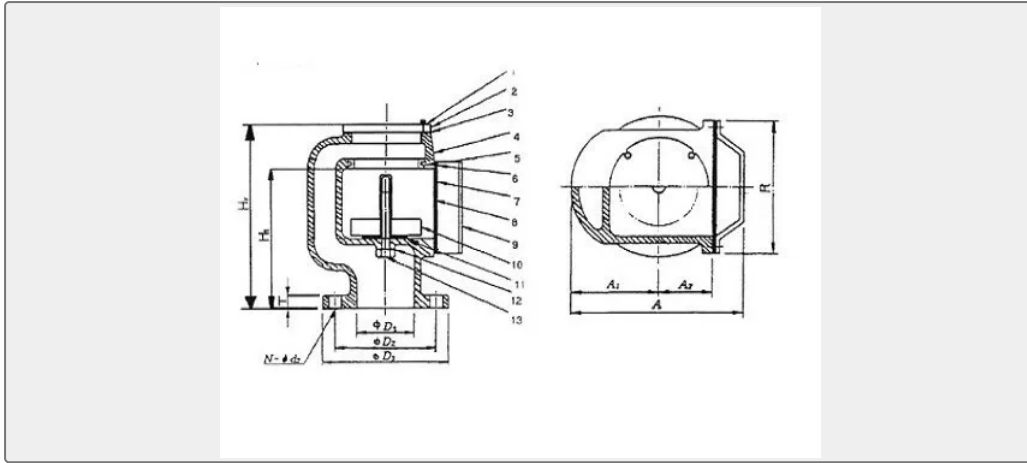
Category	JIS Marine Air Vent Head	Model / SKU	Marine-Cast-Iron-Air-Vent-Head-JIS-KS91A-121-DN50-DN80
Standard	JIS	Material	cast iron
Weight / Size	JIS 7400-1996 Flange size as per JIS B2220 - 5K * The flange size also can be manufactured according to 10K, 16K.	Certificate	CCS,BV,GL,NK,RINA,ABS,DNV,LR
Warranty	12 Months unless specified otherwise	Origin	China

#### CONTENTS

- China Marine Cast Iron Air Vent Head JIS-KS91A-121(DN50-DN80):
- Marine Size List(mm):
- Main Material:



# China Marine Cast Iron Air Vent Head JIS-KS91A-121(DN50-DN80):



Air Vent Head also can be called as air pipe head, is used for the ventilation of the oil tank or water tank on the vessel.

Test Standard: JIS 7400-1996

Flange size as per JIS B2220 - 5K

\* The flange size also can be manufactured according to 10K, 16K.

## Main Material:

S/N	Name	Material	S/N	Name	Material
1	Hex Bolt	SUS304	8	Screen Cover	SS400
2	Cover	SS400	9	Float Disc	SUS304
3	Packing	NBR	10	Hex Bolt	SUS304
4	Body	FC200,FCD450	11	Packing	NBR
5	Hex Bolt	SUS304	12	Spring Washer	SUS304
6	Rubber Ring	NBR	13	Guide Bolt	SUS304
7	Wire Screen	SUS304			

## Marine Size List(mm):

Dimension (mm)										Weight (kgs)
DN	D2	D3	HT	H1	T	N-d1	A	A3	R	
50	105	130	175	127	14	4-15	179	139	237	7.4
65	130	155	204	164	14	4-15	205	160	188	12.6
80	145	180	244	176	14	4-15	237	146	156	16

