

## JIS MARINE GLOBE VALVE

## Marine Cast Iron Angle Valve JIS F7308 10K

ISO9001 Supplier

Class Certificate

Export Supply

Marine Cast Iron Angle Valve is suitable for the pipe system with the medium fresh water, air & other gas, oil and steam with the temperature not over 205 centigrade degree. Design Standard: JIS F7308-1996 ...



### Key Highlights

Category	JIS Marine Globe Valve
Standard	JIS
Material	cast iron
Weight / Size	Body-1.5Mpa, Seat-1.1Mpa Flange size as per JIS B2220 -10K Main Material...
Certificate	CCS, BV, ABS, GL, LR, DNV, NK,RINA

We can supply according to your requirement, drawings, class certificate needs, and delivery schedule.

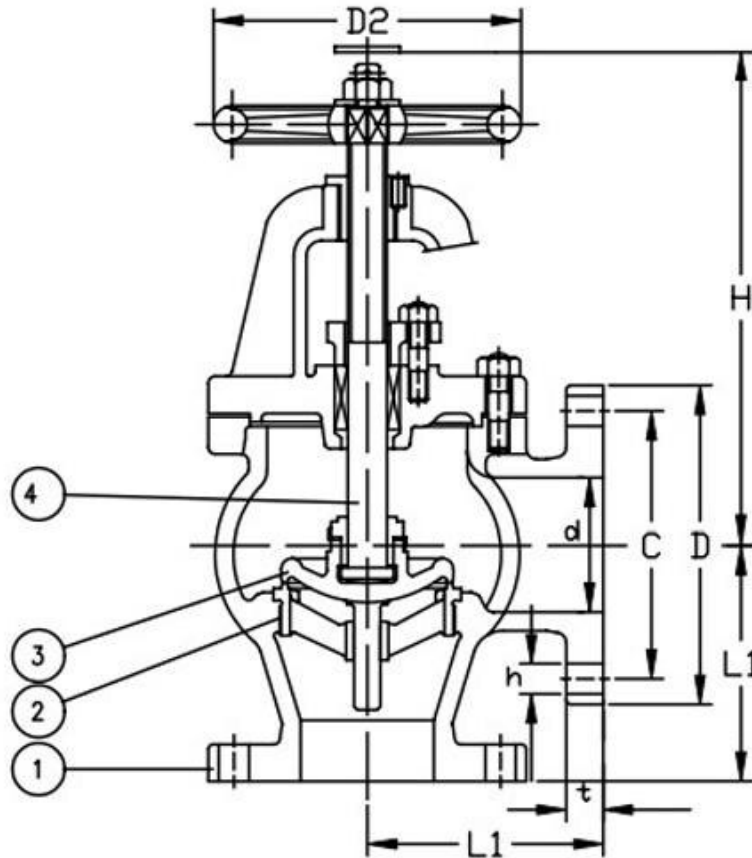
### Technical Specifications

Category	JIS Marine Globe Valve	Model / SKU	Marine-Cast-Iron-Angle-Valve-JIS-F7308-10K
Standard	JIS	Material	cast iron
Weight / Size	Body-1.5Mpa, Seat-1.1Mpa Flange size as per JIS B2220 -10K Main Material:	Certificate	CCS, BV, ABS, GL, LR, DNV, NK,RINA
Warranty	12 Months unless specified otherwise	Origin	China

#### CONTENTS

- China Marine Cast Iron Angle Valve JIS F7308 10K:
- Main Material:
- Main Size List(mm):

## Marine Cast Iron Angle Valve JIS F7308 10K Drawing



### China Marine Cast Iron Angle Valve JIS F7308 10K:

Marine Cast Iron Angle Valve is suitable for the pipe system with the medium fresh water, air & other gas, oil and steam with the temperature not over 205 centigrade degree.

Design Standard: JIS F7308-1996

Test Standard: JIS 7400-1996

Hydraulic Test Pressure: for DN200 & less: Body- 2.1Mpa, Seat-1.54Mpa, for DN250 & more: Body-1.5Mpa, Seat-1.1Mpa

Flange size as per JIS B2220 -10K

### Main Material:

Body: Cast Iron (FC200)

Bonnet: Cast Iron (FC200)

Packing Gland: Bronze (BC6) or Stainless Steel (2Cr13)

Stem: C3771BD (Brass) or SUS403

Seat: Bronze (BC6) or Stainless Steel (2Cr13, SCS2)

Disc: Bronze (BC6) or Stainless Steel (2Cr13, SCS2)

Gasket: non-asbestos

## Main Size List(mm):

IMPA Code	Module	L1	D	C	No of bolt hole	h	t	H	D2	Weight
750246	50	120	155	120	4	19	20	255/255	160	18.2
750247	65	130	175	140	4	19	22	270/260	200	25.4
750248	80	140	185	150	8	19	22	275/270	200	27.4
750249	100	160	210	175	8	19	24	315/305	250	40.6
750250	125	180	250	210	8	23	24	360/350	280	69.9
750251	150	205	280	240	8	23	26	405/390	315	81
750252	200	230	330	290	12	23	26	475/450	355	125
750253	250	290	400	355	12	25	30	570	450	211
750254	300	320	445	400	16	25	32	645	500	293