

# Jinbo Marine

Marine &amp; Offshore Equipment Datasheet

PRODUCT DATASHEET

## JIS MARINE GLOBE VALVE

# Marine Cast Iron Angle Valve JIS F7310 16K

ISO9001 Supplier

Class Certificate

Export Supply

It is suitable for the pipe system with the medium fresh water, air & other gas, oil and steam with the temperature not over 205 centigrade degree. Design Standard: JIS F7310-1996 Test Standard: JIS 7400-...



### Key Highlights

Category	JIS Marine Globe Valve
Standard	JIS
Material	Cast Iron
Weight / Size	Body- 3.3Mpa, Seat-2.42Mpa Flange size as per JIS B2220 - 16K Main Mater...
Certificate	CCS, BV, ABS, GL, LR, DNV, NK,RINA, KR,IRS

We can supply according to your requirement, drawings, class certificate needs, and delivery schedule.

### Technical Specifications

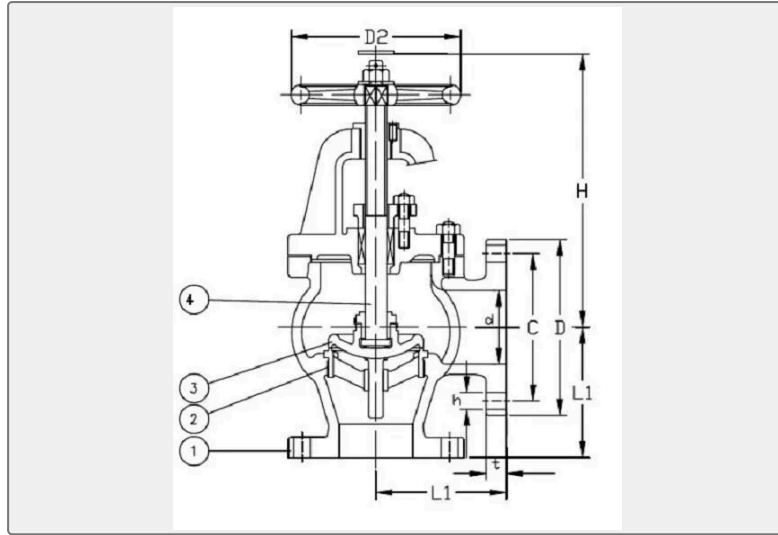
Category	JIS Marine Globe Valve	Model / SKU	Marine-Cast-Iron-Angle-Valve-JIS-F7310-16K
Standard	JIS	Material	Cast Iron
Weight / Size	Body- 3.3Mpa, Seat-2.42Mpa Flange size as per JIS B2220 - 16K Main Material:	Certificate	CCS, BV, ABS, GL, LR, DNV, NK,RINA, KR,IRS
Warranty	12 Months unless specified otherwise	Origin	China

#### CONTENTS

- China Marine Cast Iron Angle Valve JIS F7310 16K:
- Main Material:
- Main Size List(mm):



## China Marine Cast Iron Angle Valve JIS F7310 16K:



It is suitable for the pipe system with the medium fresh water, air & other gas, oil and steam with the temperature not over 205 centigrade degree.

Design Standard: JIS F7310-1996

Test Standard: JIS 7400-1996

Hydraulic Test Pressure: Body- 3.3Mpa, Seat-2.42Mpa

Flange size as per JIS B2220 - 16K

### Main Material:

Body: Cast Iron (FC200)

Bonnet: Cast Iron (FC200)

Packing Gland: Bronze (BC6) or Stainless Steel (2Cr13)

Stem: C3771BD (Brass) or SUS403

Seat: Bronze (BC6) or Stainless Steel (2Cr13, SCS2)

Disc: Bronze (BC6) or Stainless Steel (2Cr13, SCS2)

Gasket: non-asbestos

### Main Size List(mm):

IMPA CODE	DN	L1	D	C	No of bolt hole	h	t	H	D2	Weight(kgs)
750271	50	120	155	120	8	19	20	255	160	18
750272	65	130	175	140	8	19	22	270	200	25
750273	80	150	200	160	8	23	24	295	224	35.7
750274	100	170	225	185	8	23	26	330	250	49.2
750275	125	200	270	225	8	25	26	390	315	76.1
750276	150	225	305	260	12	25	28	435	355	



750277	200	250	350	305	12	25	30	540	450	155
--------	-----	-----	-----	-----	----	----	----	-----	-----	-----

