

GB MARINE BOX VALVE

Marine Cast Iron Dual Row Stop Valve Case GB/T2499-93

ISO9001 Supplier

Class Certificate

Export Supply

Marine Cast Iron Dual Row Stop Check Box Valve has R/RS, S/SS types. R/RS is with 2pcs of stop valves in one row, S/SS is with 3pcs of stop valves in one row. Design Standard:GB/T2499-93 Test Standard:GB600 ...



Key Highlights

Category	GB Marine Box Valve
Standard	GB
Material	Cast Iron
Weight / Size	Body-Cast Iron(HT200) Bonnet-Cast Iron (HT200) Disc-Bronze (ZCuSn5Pb5Zn5...)
Certificate	CCS, BV, ABS, GL, LR, DNV, NK,RINA, KR,IRS

We can supply according to your requirement, drawings, class certificate needs, and delivery schedule.

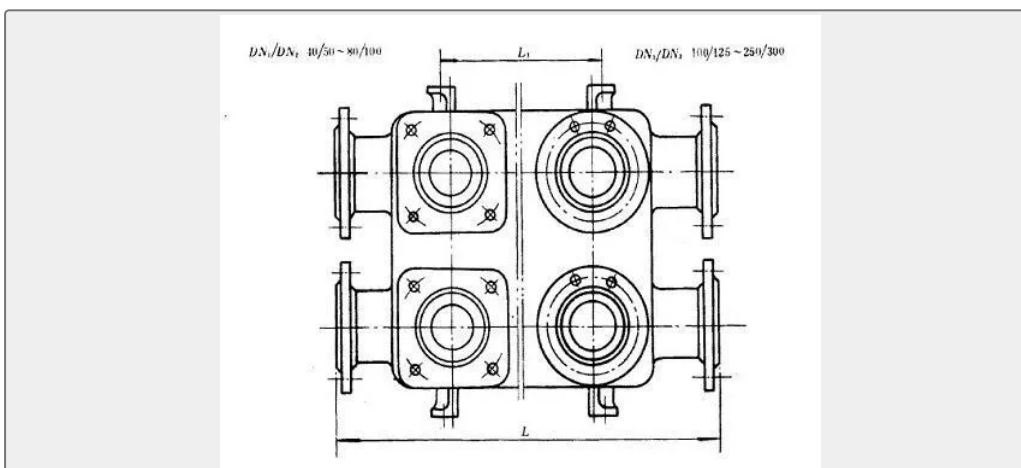
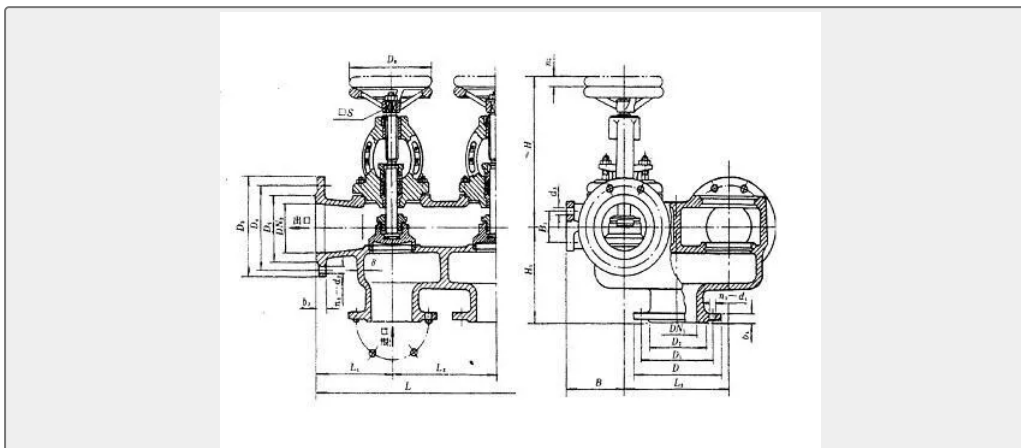
Technical Specifications

Category	GB Marine Box Valve	Model / SKU	Marine-Cast-Iron-Dual-Row-Stop-Valve-Case-GB-T2499-93
Standard	GB	Material	Cast Iron
Weight / Size	Body-Cast Iron(HT200) Bonnet-Cast Iron (HT200) Disc-Bronze (ZCuSn5Pb5Zn5) Seat-Bronze(CuAl9Mn2) Stem-Bronze(CuAl9Mn2) Main Size List(mm):	Certificate	CCS, BV, ABS, GL, LR, DNV, NK,RINA, KR,IRS
Warranty	12 Months unless specified otherwise	Origin	China

CONTENTS

- China Marine Cast Iron Dual Row Stop Valve Case GB/T2499-93:
- Main Parts & Material:
- Main Size List(mm):

China Marine Cast Iron Dual Row Stop Valve Case GB/T2499-93:



Marine Cast Iron Dual Row Stop Check Box Valve has R/RS, S/SS types. R/RS is with 2pcs of stop valves in one row, S/SS is with 3pcs of stop valves in one row.

Design Standard:GB/T2499-93

Test Standard:GB600

Flange as per GB569 or GB2501

Nominal Pressure (Mpa)	Nominal Diameter(mm)	Applicable Medium
1.0	40/50--150/200	sea water, fresh water
0.6	200/250--250/300	

Main Parts & Material:

Body-Cast Iron(HT200)

Bonnet-Cast Iron (HT200)

Disc-Bronze (ZCuSn5Pb5Zn5)



Seat-Bronze(CuAl9Mn2)

Stem-Bronze(CuAl9Mn2)

Main Size List(mm):

PN (MP a)	DN (mm)		structure dimension						connection dimension of flange													
			L		L1	L2	H	H1	Inlet DN1					bolt		Outlet DN2					bolt	
	DN 1	DN 2	R	S					D1	D2	D3	b 1	d 1	n 1	Th.	D3	D4	D5	b 2	d 2	n 2	Th.
1	40	50	38 0	54 0	11 0	16 0	23 6	16 0	12 5	93	74	1 6	1 5	6	M1 4	13 5	10 3	84	1 6	1 5	6	M1 4
	50	65	42 0	60 0	12 0	18 0	25 7	16 5	13 5	10 3	84	1 6	1 5	6	M1 4	15 5	12 3	10 4	1 5	1 5	6	M1 4
	65	80	44 0	62 0	13 0	18 0	27 0	18 0	15 5	12 3	10 4	1 5	1 5	6	M1 4	17 0	13 8	11 8	1 5	1 5	8	M1 4
	80	100	48 0	68 0	14 0	20 0	30 0	20 2	17 0	13 8	11 8	1 5	1 5	8	M1 4	19 0	15 8	13 8	1 5	1 5	8	M1 4
	100	125	57 0	80 0	17 0	23 0	30 9	23 5	19 0	15 8	13 8	1 5	1 5	8	M1 4	21 5	18 3	16 4	1 5	1 5	1 0	M1 4
	125	150	65 0	90 0	20 0	25 0	35 5	27 5	21 5	18 3	16 4	1 5	1 5	1 0	M1 4	24 0	20 8	19 0	1 6	1 5	1 2	M1 4
	150	200	74 0	100 20	23 0	28 0	41 0	29 5	24 0	20 8	19 0	1 6	1 5	1 2	M1 4	29 5	26 4	24 7	1 6	1 5	1 2	M1 4
0.6	200	250	94 0	130 20	28 0	38 0	51 0	37 0	29 5	26 4	24 7	1 6	1 5	1 2	M1 4	36 5	32 7	30 6	1 8	1 7	1 4	M1 6
	250	300	110 80	160 40	36 0	46 0	62 5	44 0	36 5	32 7	30 6	1 8	1 7	1 4	M1 6	43 0	38 6	36 0	1 9	2 1	1 4	M2 0

PN (MP a)	DN (mm)		structure dimension						connection dimension of flange											
			L		L1	L2	H	H1	Inlet DN1					bolt		Outlet DN2				
	DN 1	DN 2	RS	SS					D	D1	D2	b 1	d 1	n 1	Th.	D3	D4	D5	b 2	d 2

1	40	50	41 0	59 0	11 5	18 0	23 6	16 0	15 0	11 0	78 8	1 8	1 8	4	M1 6	16 5	12 5	10 2	2 0	1 8	4	M1 6
	50	65	44 5	64 0	12 5	19 5	25 8	16 5	16 5	12 5	10 2	2 0	1 8	4	M1 6	18 5	14 5	12 2	2 0	1 8	4	M1 6
	65	80	50 5	72 0	14 5	21 5	27 7	18 0	18 5	14 5	12 2	2 0	1 8	4	M1 6	20 0	16 0	13 3	2 2	1 8	8	M1 6
	80	10 0	54 0	77 0	15 5	23 0	30 4	20 2	20 0	16 0	13 3	2 2	1 8	8	M1 6	22 0	18 0	15 8	2 4	1 8	8	M1 6
	10 0	12 5	61 0	87 0	17 5	26 0	32 5	23 5	22 0	18 0	15 8	2 4	1 8	8	M1 6	25 0	21 0	18 4	2 6	1 8	8	M1 6
	12 5	15 0	69 5	99 0	20 0	29 5	36 6	27 5	25 0	21 0	18 4	2 6	1 8	8	M1 6	28 5	24 0	21 2	2 6	2 2	8	M2 0
	15 0	20 0	80 0	115 0	22 5	35 0	41 0	29 5	28 5	24 0	21 2	2 6	2 2	8	M2 0	34 0	29 5	26 8	2 8	2 2	8	M2 0
0.6	20 0	25 0	94 0	13 30	27 5	39 0	54 3	37 0	32 0	28 0	25 8	2 2	1 8	8	M1 6	37 5	33 5	31 2	2 4	1 8	1 2	M1 6
	25 0	30 0	11 30	16 10	32 5	48 0	62 3	32 5	37 5	33 5	31 2	2 4	1 8	1 2	M1 6	44 0	39 5	36 5	2 4	2 2	1 2	M2 0