

# Jinbo Marine

Marine &amp; Offshore Equipment Datasheet

PRODUCT DATASHEET

## JIS MARINE STRAINER & FILTER

# Marine Cast Iron Duplex Oil Strainer JIS F7208 HS Type

ISO9001 Supplier

Class Certificate

Export Supply

Design Standard: JIS F7208-2005 Test Standard: JIS F7200-1996 Hydraulic Test Pressure:  
Body-0.6Mpa, Seal: 0.44Mpa Max Working Pressure: 0.4Mpa Flange size as per JIS B2220-  
5K or 10K Normal...



### Key Highlights

Category	JIS Marine Strainer & Filter
Standard	JIS
Material	Cast Iron
Weight / Size	0.4Mpa Flange size as per JIS B2220-5K or 10K Normal Size:
Certificate	MILL CERTIFICATE

We can supply according to your requirement, drawings, class certificate needs, and delivery schedule.

### Technical Specifications

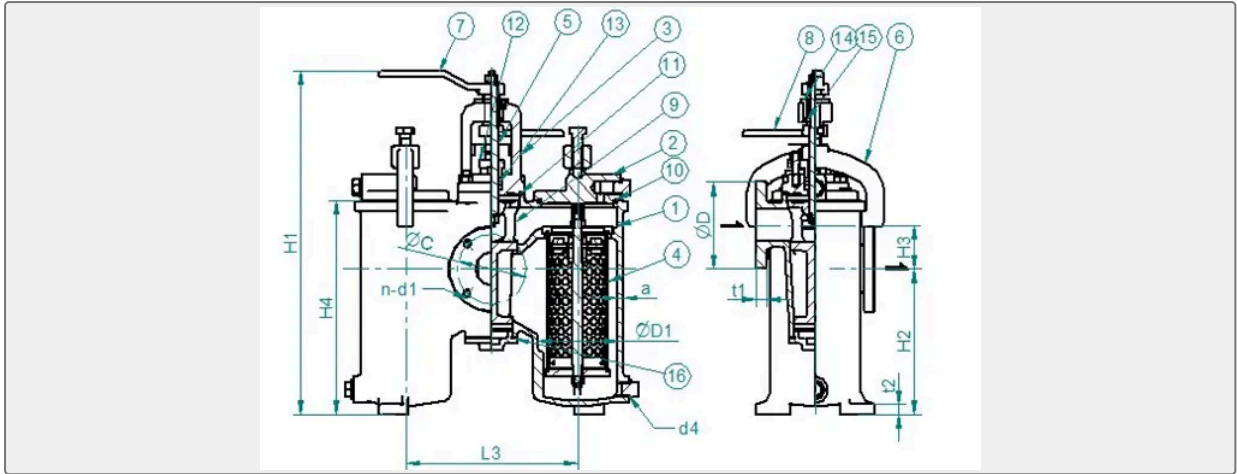
Category	JIS Marine Strainer & Filter	Model / SKU	Marine-Cast-Iron-Duplex-Oil-Strainer-JIS-F7208-HS-Type
Standard	JIS	Material	Cast Iron
Weight / Size	0.4Mpa Flange size as per JIS B2220-5K or 10K Normal Size:	Certificate	MILL CERTIFICATE
Warranty	12 Months unless specified otherwise	Origin	China

#### CONTENTS

- China Marine Cast Iron Duplex Oil Strainer JIS F7208 HS Type:
- Main Material:
- Main Size List(mm):



## China Marine Cast Iron Duplex Oil Strainer JIS F7208 HS Type:



Design Standard: JIS F7208-2005

Test Standard: JIS F7200-1996

Hydraulic Test Pressure: Body-0.6Mpa, Seal: 0.44Mpa

Max Working Pressure: 0.4Mpa

Flange size as per JIS B2220-5K or 10K

Norminal Size: DN25~DN200

### Main Material:

Body: Cast Iron(FC200)

Bonnet: Cast Iron (FC200)

Strainer: Carbon Steel (SS400) or Stainless Steel (SUS304 or SUS316)

Gasket: NBR

Yoke: Nodular Cast Iron (FCD450)

Air Vent Plug: Brass

Drain Plug: Brass

### Main Size List(mm):

DN	L1	L2	D	C	d1	H1	L3	H2	H3	D1	a	D2	H5	L4	L5	t	d3	L6
25	115	268	95	75	M10	247	180	82.5	50	70	6	48	98	100	200	10	12	170
32	140	390	115	90	M12	347	240	123	80	110	8	86	148	146	275	13	15	220
40	140	390	120	95	M12	347	240	123	80	110	8	86	148	146	275	13	15	220

\* Duplex Oil Strainer has many different type, the size can be from DN25-DN200, Flange can be manufactured according to 5K or 10K. In the list, the flange size is 5K.

