

GB MARINE COCK

Marine Cast Iron Flange Packed Cock GB/T593-93

Marine Flange Packed Cock can be called as marine plug valve. A/AS is two way cock, L/LS, T/TS is three way cock. Design Standard: GB/T593-93 Test Standard:GB600 Flange size as per GB569 or GB2501 ...

ISO9001 Supplier

Class Certificate

Export Supply



Key Highlights

| | |
|---------------|---|
| Category | GB Marine Cock |
| Standard | GB |
| Material | Cast Iron |
| Weight / Size | GB/T593-93 Test Standard:GB600 Flange size as per GB569 or GB2501 Nomina... |
| Certificate | CCS, BV, ABS, GL, LR, DNV, NK,RINA, KR,IRS |

We can supply according to your requirement, drawings, class certificate needs, and delivery schedule.

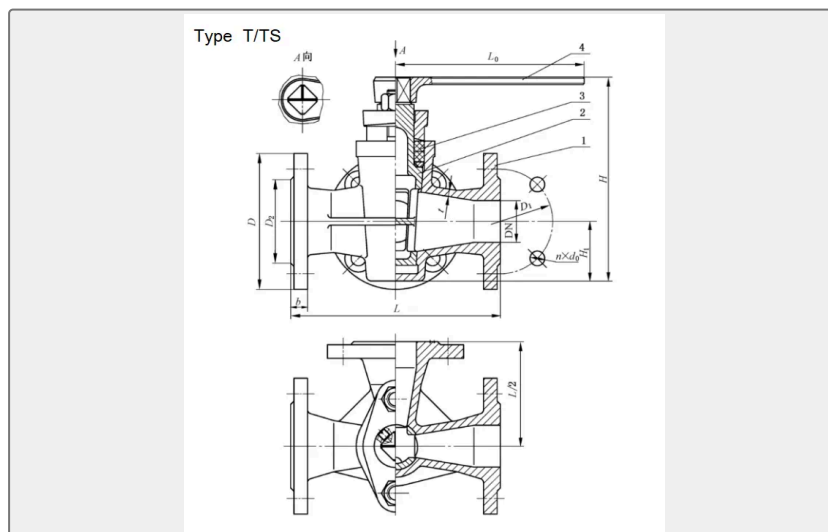
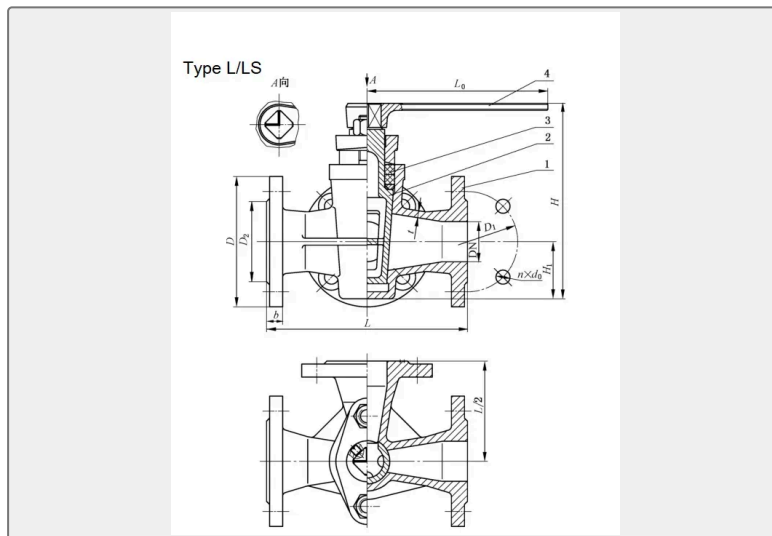
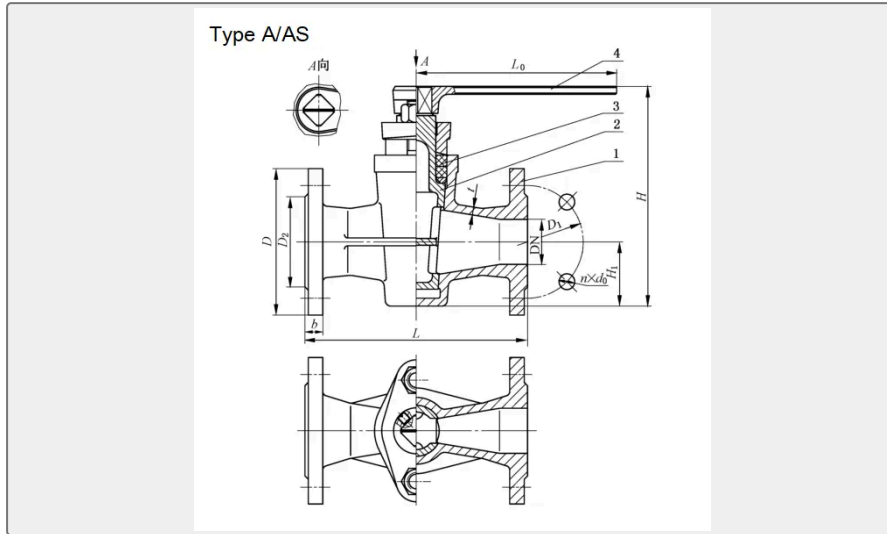
Technical Specifications

| | | | |
|---------------|--|-------------|--|
| Category | GB Marine Cock | Model / SKU | Marine-Cast-Iron-Flange-Packed-Cock-GB-T593-93 |
| Standard | GB | Material | Cast Iron |
| Weight / Size | GB/T593-93 Test Standard:GB600 Flange size as per GB569 or GB2501 Nominal Pressure (Mpa) Nominal Diameter (mm) Applicable Medium 0.6 20~80 sea water, fresh water,lubrication oil, fuel oil Main Material: | Certificate | CCS, BV, ABS, GL, LR, DNV, NK,RINA, KR,IRS |
| Warranty | 12 Months unless specified otherwise | Origin | China |

CONTENTS

- China Marine Cast Iron Flange Packed Cock GB/T593-93:
- Main Material:
- Main Size List(mm):

China Marine Cast Iron Flange Packed Cock GB/T593-93:



Marine Flange Packed Cock can be called as marine plug valve. A/AS is two way cock, L/LS, T/TS is three



Design Standard: GB/T593-93

Test Standard:GB600

Flange size as per GB569 or GB2501

| Nominal Pressure (Mpa) | Nominal Diameter (mm) | Applicable Medium |
|------------------------|-----------------------|--|
| 0.6 | 20~80 | sea water, fresh water,lubrication oil, fuel oil |

Main Material:

Body-Cast Iron (HT200)

Core-Bronze (ZCuSn10Zn2 or ZCuSn5Pb5Zn5)

Main Size List(mm):

Type A,L,T:

| DN (mm) | Structure Dimension | | | Thickness δ | Flange | | | | | Bolt | | handle L0 | Weight(kg) | | |
|---------|---------------------|-----|-----|--------------------|--------|-----|-----|----|----|------|-----|-----------|------------|--------|--------|
| | L | H | H1 | | D | D1 | D2 | d0 | b | n | Th | | Type A | Type L | Type T |
| 20 | 145 | 141 | 42 | 7 | 95 | 68 | 48 | 13 | 14 | 4 | M12 | 125 | 3.01 | 3.85 | 3.79 |
| 25 | 155 | 151 | 43 | 7 | 105 | 73 | 56 | 13 | 14 | 4 | M12 | 140 | 3.84 | 4.90 | 4.80 |
| 62 | 165 | 170 | 50 | 7 | 115 | 83 | 64 | 15 | 15 | 6 | M14 | 160 | 4.70 | 5.70 | 5.60 |
| 40 | 190 | 193 | 57 | 7 | 125 | 93 | 74 | 15 | 16 | 6 | M14 | 180 | 6.60 | 8.40 | 8.30 |
| 50 | 205 | 245 | 67 | 7 | 135 | 103 | 84 | 15 | 16 | 6 | M14 | 230 | 10.20 | 12.00 | 11.80 |
| 65 | 225 | 266 | 81 | 8 | 155 | 123 | 104 | 15 | 15 | 6 | M14 | 250 | 13.40 | 16.70 | 16.30 |
| 80 | 245 | 328 | 100 | 8 | 170 | 138 | 118 | 15 | 15 | 8 | M14 | 320 | 19.70 | 21.80 | 21.30 |

Type AS,LS,TS:

| DN (mm) | Structure Dimension | | | Thickness δ | Flange | | | | | Bolt | | handle L0 | Weight(kg) | | |
|---------|---------------------|-----|----|--------------------|--------|-----|----|----|----|------|-----|-----------|------------|---------|---------|
| | L | H | H1 | | D | D1 | D2 | d0 | b | n | Th | | Type AS | Type LS | Type TS |
| 20 | 150 | 141 | 42 | 7 | 90 | 65 | 50 | 11 | 14 | 4 | M10 | 120 | 3.1 | 3.9 | 3.8 |
| 25 | 160 | 151 | 43 | 7 | 100 | 75 | 60 | 11 | 14 | 4 | M10 | 140 | 4.0 | 4.9 | 4.8 |
| 32 | 180 | 170 | 50 | 7 | 120 | 90 | 70 | 14 | 16 | 4 | M12 | 160 | 5.0 | 5.8 | 5.7 |
| 40 | 200 | 193 | 57 | 7 | 130 | 100 | 80 | 14 | 16 | 4 | M12 | 180 | 7.3 | 9.1 | 9.0 |
| 50 | 230 | 245 | 67 | 7 | 140 | 110 | 90 | 14 | 16 | 4 | M12 | 230 | 10.4 | 12.4 | 12.2 |



| | | | | | | | | | | | | | | | |
|----|-----|-----|-----|---|---------|---------|---------|--------|--------|---|---------|-----|------|------|------|
| 65 | 290 | 286 | 81 | 8 | 16 0 | 13 0 | 110 | 1 4 | 1 6 | 4 | M1 2 | 250 | 14.4 | 17.7 | 17.3 |
| 80 | 310 | 328 | 100 | 8 | 19 0 | 15 0 | 12 8 | 1 8 | 1 6 | 4 | M1 6 | 320 | 20.8 | 23.9 | 23.4 |