

Jinbo Marine

Marine & Offshore Equipment Datasheet

PRODUCT DATASHEET

JIS MARINE GATE VALVE

Marine Cast Iron Gate Valve (DN15-DN40)

ISO9001 Supplier

Class Certificate

Export Supply

Marine Cast Iron Gate Valve DN15-DN40 is rising stem type gate valve. Design Standard: JIS F7367-1996 Test Standard: JIS 7400-1996 Hydraulic Test Pressure: Body- 1.05Mpa, Seat- 0.7Mpa Flange size a...



Key Highlights

Category	JIS Marine Gate Valve
Standard	JIS
Material	Cast Iron
Weight / Size	Body- 1.05Mpa, Seat-0.7Mpa Flange size as per JIS B2220 - 5K Main Materi...
Certificate	ABS, LR, BV, DNVGL, NK, KR, IRS, RMRS, CCS

We can supply according to your requirement, drawings, class certificate needs, and delivery schedule.

Technical Specifications

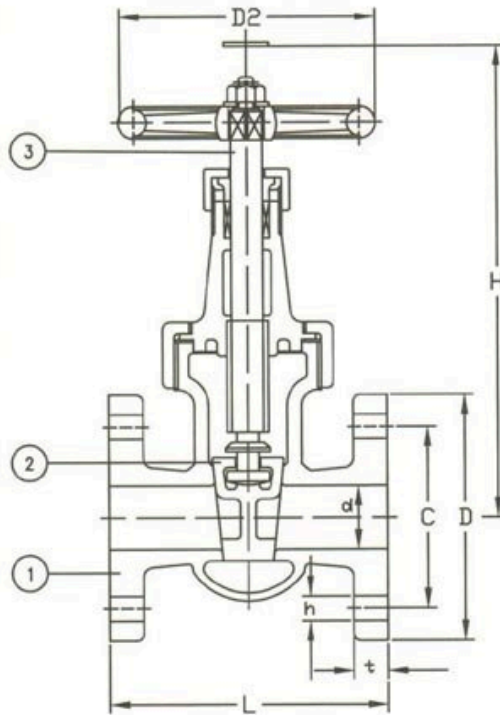
Category	JIS Marine Gate Valve	Model / SKU	Marine-Cast-Iron-Gate-Valve-DN15-DN40
Standard	JIS	Material	Cast Iron
Weight / Size	Body- 1.05Mpa, Seat-0.7Mpa Flange size as per JIS B2220 - 5K Main Material:	Certificate	ABS, LR, BV, DNVGL, NK, KR, IRS, RMRS, CCS
Warranty	12 Months unless specified otherwise	Origin	China

CONTENTS

- China Marine Cast Iron Gate Valve (DN15-DN40):
- Main Size List(mm):
- Main Material:



China Marine Cast Iron Gate Valve (DN15-DN40):



Marine Cast Iron Gate Valve DN15-DN40 is rising stem type gate valve.

Design Standard: JIS F7367-1996

Test Standard: JIS 7400-1996

Hydraulic Test Pressure: Body- 1.05Mpa, Seat-0.7Mpa

Flange size as per JIS B2220 - 5K

Main Material:

Body: Cast Iron or Nodular Iron

Bonnet: Cast Iron or Nodular Iron

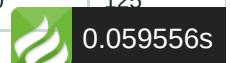
Disc: Cast Iron or Nodular Iron

Stem: Stainless Steel

Gasket: non-asbestos

Main Size List(mm):

Size	L	D	C	No of Bolt Hole	h	t	H	D2
15	90	80	60	4	12	9	175	80
20	100	85	65	4	12	10	200	100
25	110	95	75	4	12	10	220	125
32	130	115	90	4	15	12	250	125



40	140	120	95	4	15	12	290	140
----	-----	-----	----	---	----	----	-----	-----