

Jinbo Marine

Marine & Offshore Equipment Datasheet

PRODUCT DATASHEET

JIS MARINE GATE VALVE

Marine Cast Iron Gate Valve JIS F7363 5K

ISO9001 Supplier

Class Certificate

Export Supply

Marine Gate Valve is used to open and close the fuel oil piping, lubricating, water, steam piping at temperatures 120 degree centigrade or less. Design Standard: JIS F7363-1996 Test Standard: JIS 7400-1996 ...



Key Highlights

Category	JIS Marine Gate Valve
Standard	JIS
Material	cast iron
Weight / Size	Body-0.75Mpa, Seat-0.55Mpa Flange size as per JIS B2220 - 5K Main Materi...
Certificate	CCS,BV,GL,NK,RINA,ABS,DN V

We can supply according to your requirement, drawings, class certificate needs, and delivery schedule.

Technical Specifications

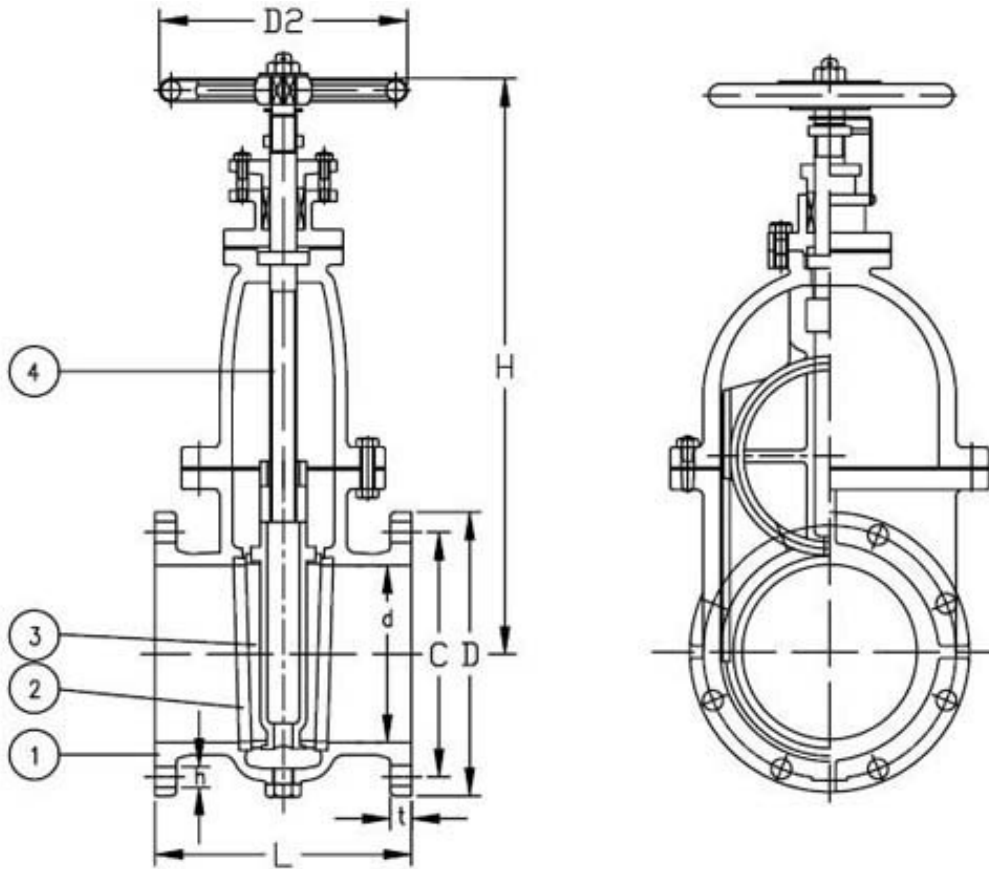
Category	JIS Marine Gate Valve	Model / SKU	Marine-Cast-Iron-Gate-Valve-JIS-F7363-5K
Standard	JIS	Material	cast iron
Weight / Size	Body-0.75Mpa, Seat-0.55Mpa Flange size as per JIS B2220 - 5K Main Material:	Certificate	CCS,BV,GL,NK,RINA,ABS,DNV
Warranty	12 Months unless specified otherwise	Origin	China

CONTENTS

- China Marine Cast Iron Gate Valve JIS F7363 5K:
- Main Material:
- Main Size List(mm):



Marine Cast Iron Gate Valve JIS F7363 5K Drawing



China Marine Cast Iron Gate Valve JIS F7363 5K:

Marine Gate Valve is used to open and close the fuel oil piping, lubricating, water, steam piping at temperatures 120 degree centigrade or less.

Design Standard: JIS F7363-1996

Test Standard: JIS 7400-1996

Hydraulic Test Pressure:

DN400 and below: Body- 1.05Mpa, Seat-0.77Mpa (for not over DN400).

DN450~DN600: Body-0.75Mpa, Seat-0.55Mpa

Flange size as per JIS B2220 - 5K

Main Material:

Body: FC200/HT200 (Cast Iron)

Bonnet: FC200/HT200 (Cast Iron)

Disc: Bronze (BC6) or SCS2 (2Cr13)

Seat: Bronze (BC6) or SCS2 (2Cr13)

Stem: Brass (C3771BD) or SUS403

Gasket: non-asbestos

Packing Gland: Bronze (BC6)/Brass/Carbon Steel



Handwheel: FC200/HT200 (Cast Iron)

Main Size List(mm):

Size	L	Flange diam. (D)	Pitch (C)	No of Bolt Hole	h	t	H	D2
50	180	130	105	4	15	16	285	125
65	190	155	130	4	15	18	330	140
80	200	180	145	4	19	18	380	160
100	230	200	165	8	19	20	430	180
125	250	235	200	8	19	20	495	200
150	270	265	230	8	19	22	560	224
200	290	320	280	8	23	24	680	280
250	330	385	345	12	23	26	800	355
300	370	430	390	12	23	28	920	400
350	410	480	435	12	25	30	1000	450
400	470	540	495	16	25	30	1100	500
450	500	605	555	16	25	30	1420	560