

Jinbo Marine

Marine & Offshore Equipment Datasheet

PRODUCT DATASHEET

JIS MARINE GATE VALVE

Marine Cast Iron Gate Valve JIS F7364 10K

ISO9001 Supplier

Class Certificate

Export Supply

Design Standard: JIS F7364-1996 Test Standard: JIS 7400-1996 Hydraulic Test Pressure:
Body- 2.1Mpa, Seat-1.54Mpa Flange size as per JIS B2220 - 10K Main Material: Body:
FC200 (Cast Ir...



Key Highlights

Category	JIS Marine Gate Valve
Standard	JIS
Material	Cast Iron
Weight / Size	Body- 2.1Mpa, Seat-1.54Mpa Flange size as per JIS B2220 - 10K Main Mater...
Certificate	CCS,BV, NK,DNV,GL, LR, ABS, RINA

We can supply according to your requirement, drawings, class certificate needs, and delivery schedule.

Technical Specifications

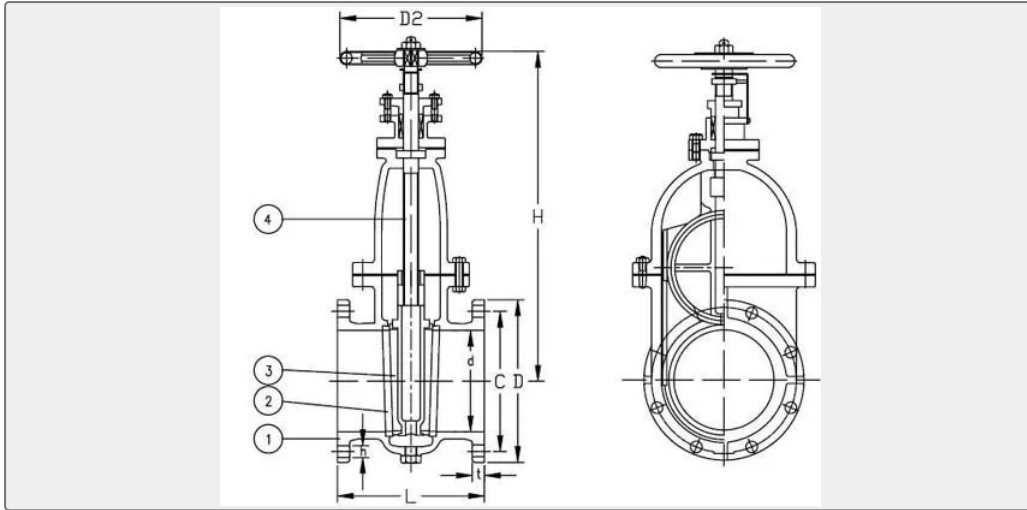
Category	JIS Marine Gate Valve	Model / SKU	Marine-Cast-Iron-Gate-Valve-JIS-F7364-10K
Standard	JIS	Material	Cast Iron
Weight / Size	Body- 2.1Mpa, Seat-1.54Mpa Flange size as per JIS B2220 - 10K Main Material:	Certificate	CCS,BV, NK,DNV,GL, LR, ABS, RINA
Warranty	12 Months unless specified otherwise	Origin	China

CONTENTS

- China Marine Cast Iron Gate Valve JIS F7364 10K:
- Main Material:
- Main Size List(mm):



China Marine Cast Iron Gate Valve JIS F7364 10K:



Design Standard: JIS F7364-1996

Test Standard: JIS 7400-1996

Hydraulic Test Pressure: Body- 2.1Mpa, Seat-1.54Mpa

Flange size as per JIS B2220 - 10K

Main Material:

Body: FC200 (Cast Iron)

Bonnet: FC200 (Cast Iron)

Disc: Bronze (BC6) or SCS2 (2Cr13)

Seat: Bronze (BC6) or SCS2 (2Cr13)

Stem: Brass (C3771BD) or SUS403

Gasket: non-asbestos

Packing Gland: Bronze (BC6) or SCS2(2Cr13)

Handwheel: FC200 (Cast Iron)

Main Size List(mm):

Size	L	Flange diam. (D)	Pitch (C)	Hole (nxh)	t	H	Weight
50	200	155	120	4-19	20	300	19.4
65	220	175	140	4-19	22	350	27.6
80	230	185	150	8-19	22	400	33
100	250	210	175	8-19	24	450	45.8
125	270	250	210	8-23	24	520	65.9
150	290	280	240	8-23	26	580	86
200	320	330	290	12-23	26	700	



250	380	400	355	12-25	30	840	230
300	440	445	400	16-25	32	960	331
350	500	490	445	16-25	34	1050	433
400	590	560	510	16-27	36	1150	597