

Jinbo Marine

Marine & Offshore Equipment Datasheet

PRODUCT DATASHEET

JIS MARINE GATE VALVE

Marine Cast Iron Gate Valve JIS F7369 16K

ISO9001 Supplier

Class Certificate

Export Supply

Marine Cast Iron Gate Valve JIS F7369 is non-rising gate valve. Design Standard: JIS F7369-1996 Test Standard: JIS 7400-1996 Hydraulic Test Pressure: Body- 3.3Mpa, Seal-2.42Mpa Flange size as per ...



Key Highlights

Category	JIS Marine Gate Valve
Standard	JIS
Material	Cast Iron FC200
Weight / Size	Body- 3.3Mpa, Seal-2.42Mpa Flange size as per JIS B2220 - 16K Main Mater...
Certificate	CCS,BV,GL,NK,RINA,ABS,DN V,LR,VR, IRS

We can supply according to your requirement, drawings, class certificate needs, and delivery schedule.

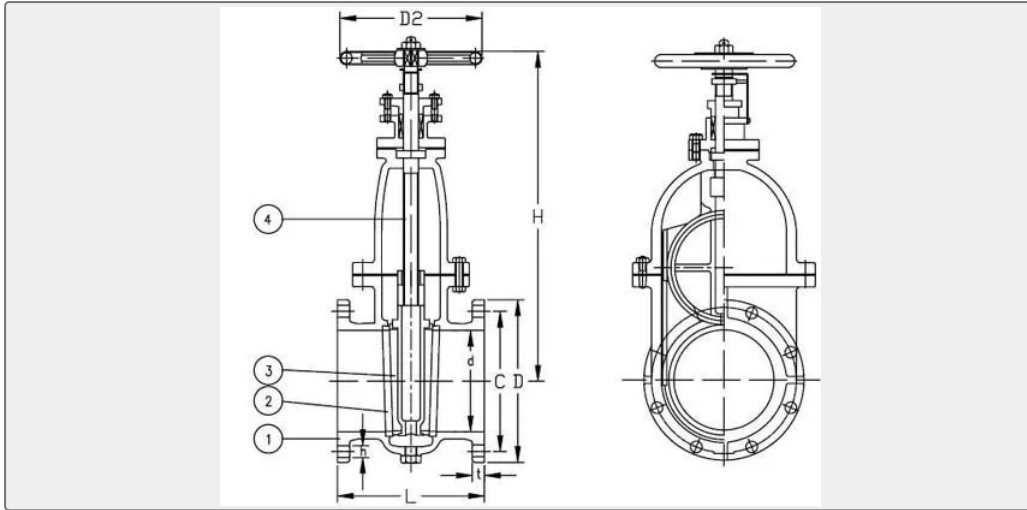
Technical Specifications

Category	JIS Marine Gate Valve	Model / SKU	Marine-Cast-Iron-Gate-Valve-JIS-F7369-16K
Standard	JIS	Material	Cast Iron FC200
Weight / Size	Body- 3.3Mpa, Seal-2.42Mpa Flange size as per JIS B2220 - 16K Main Material:	Certificate	CCS,BV,GL,NK,RINA,ABS,DNV,L R,VR, IRS
Warranty	12 Months unless specified otherwise	Origin	China

CONTENTS

- China Marine Cast Iron Gate Valve JIS F7369 16K:
- Main Material:
- Main Size List:

China Marine Cast Iron Gate Valve JIS F7369 16K:



Marine Cast Iron Gate Valve JIS F7369 is non-rising gate valve.

Design Standard: JIS F7369-1996

Test Standard: JIS 7400-1996

Hydraulic Test Pressure: Body- 3.3Mpa, Seal-2.42Mpa

Flange size as per JIS B2220 - 16K

Main Material:

Body: FC200 (Cast Iron)

Bonnet: FC200 (Cast Iron)

Disc: Bronze (BC6) or SCS2 (2Cr13)

Seat: Bronze (BC6) or SCS2 (2Cr13)

Stem: Brass (C3771BD) or SUS403

Gasket: non-asbestos

Packing Gland: Bronze (BC6)

Handwheel: FC200 (Cast Iron)

Main Size List:

Size	L	Flange diam. (D)	Pitch (C)	h	t	H	Weight
(mm)	(mm)	(mm)	(mm)	(mm)	(mm)	(mm)	(kgs)
50	220	175	140	19	22	350	20.4
65	220	175	140	19	22	350	30.4
80	234	200	160	23	24	400	36.3
100	254	225	185	23	26	450	50.4

125	274	270	225	25	26	520	72.5
150	294	305	260	25	28	580	94.6
200	325	350	305	25	30	700	149.6
250	388	430	380	27	34	840	243.6
300	490	480	430	27	36	1010	430
350	540	540	480	33	38	1070	580
400	610	605	540	33	42	1185	780