

JIS MARINE GLOBE VALVE

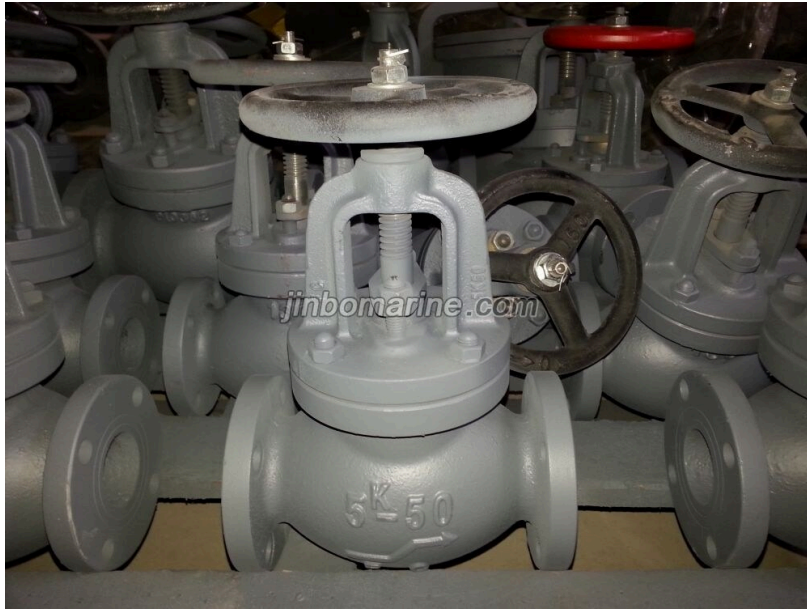
# Marine Cast Iron Globe Valve JIS F7305 5K

ISO9001 Supplier

Class Certificate

Export Supply

Design Standard: JIS F7305-1996 Test Standard: JIS 7400-1996 Hydraulic Test Pressure: Body- 1.05Mpa, Seat-0.77Mpa Flange size as per JIS B2220 - 5K Main Material: Body: Cast Iron (FC200) ...



### Key Highlights

<b>Category</b>	JIS Marine Globe Valve
<b>Standard</b>	JIS
<b>Material</b>	Cast Iron
<b>Weight / Size</b>	Body- 1.05Mpa, Seat-0.77Mpa Flange size as per JIS B2220 - 5K Main Mater...
<b>Certificate</b>	CCS,BV,GL,NK,RINA,ABS,DN V,LR

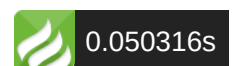
We can supply according to your requirement, drawings, class certificate needs, and delivery schedule.

### Technical Specifications

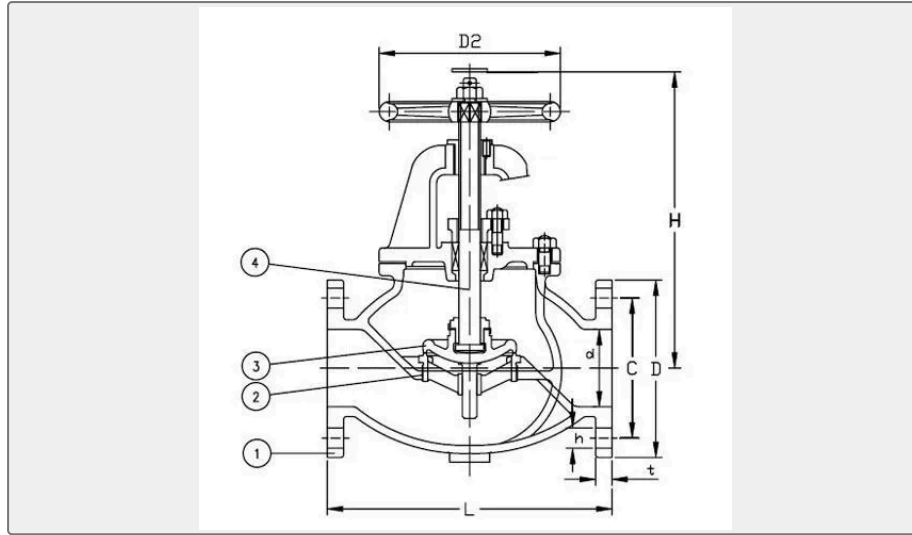
<b>Category</b>	JIS Marine Globe Valve	<b>Model / SKU</b>	Marine-Cast-Iron-Globe-Valve-JIS-F7305-5K
<b>Standard</b>	JIS	<b>Material</b>	Cast Iron
<b>Weight / Size</b>	Body- 1.05Mpa, Seat-0.77Mpa Flange size as per JIS B2220 - 5K Main Material:	<b>Certificate</b>	CCS,BV,GL,NK,RINA,ABS,DNV,L R
<b>Warranty</b>	12 Months unless specified otherwise	<b>Origin</b>	China

**CONTENTS**

- China Marine Cast Iron Globe Valve JIS F7305 5K:
- Main Material:
- Main Size List(mm):



## China Marine Cast Iron Globe Valve JIS F7305 5K:



Design Standard: JIS F7305-1996

Test Standard: JIS 7400-1996

Hydraulic Test Pressure: Body- 1.05Mpa, Seat-0.77Mpa

Flange size as per JIS B2220 - 5K

### Main Material:

Body: Cast Iron (FC200)

Bonnet: Cast Iron (FC200)

Packing Gland: Bronze (BC6) or Stainless Steel (2Cr13)

Stem: C3771BD (Brass) or SUS403

Seat: Bronze (BC6) or Stainless Steel (2Cr13, SCS2)

Disc: Bronze (BC6) or Stainless Steel (2Cr13, SCS2)

Gasket: non-asbestos

### Main Size List(mm):

IMPA Code	Size	L	D	C	No of Bolt Hole	h	t	H	D2
750201	50	210	130	105	4	15	16	270	160
750202	65	250	155	130	4	15	18	300	180
750203	80	280	180	145	4	19	18	310	180
750204	100	340	200	165	8	19	20	360	224
750205	125	410	235	200	8	19	20	390	250
750206	150	480	265	230	8	19	22	445	280
750207	200	570	320	280	8	23	24	530	315

750208	250	740	385	345	12	23	26	650	355
750209	300	840	430	390	12	23	28	740	400
750210	350	840	480	435	12	25	30	840	500
750211	400	1050	540	495	16	25	30	940	630