

Jinbo Marine

Marine & Offshore Equipment Datasheet

PRODUCT DATASHEET

JIS MARINE GLOBE VALVE

Marine Cast Iron Globe Valve JIS F7307 10K

ISO9001 Supplier

Class Certificate

Export Supply

Marine Cast Iron Globe Valve is suitable for the pipe system with the medium fresh water, air & other gas, oil and steam with the temperature not over 205 centigrade degree. Design Standard: JIS F7307-1996 Te...



Key Highlights

Category	JIS Marine Globe Valve
Standard	JIS
Material	Cast Iron
Weight / Size	Body-2.1Mpa, Seat-1.54Mpa Flange size as per JIS B2220 -10K Main Materia...
Certificate	CCS, BV, ABS, GL, LR, DNV, NK,RINA

We can supply according to your requirement, drawings, class certificate needs, and delivery schedule.

Technical Specifications

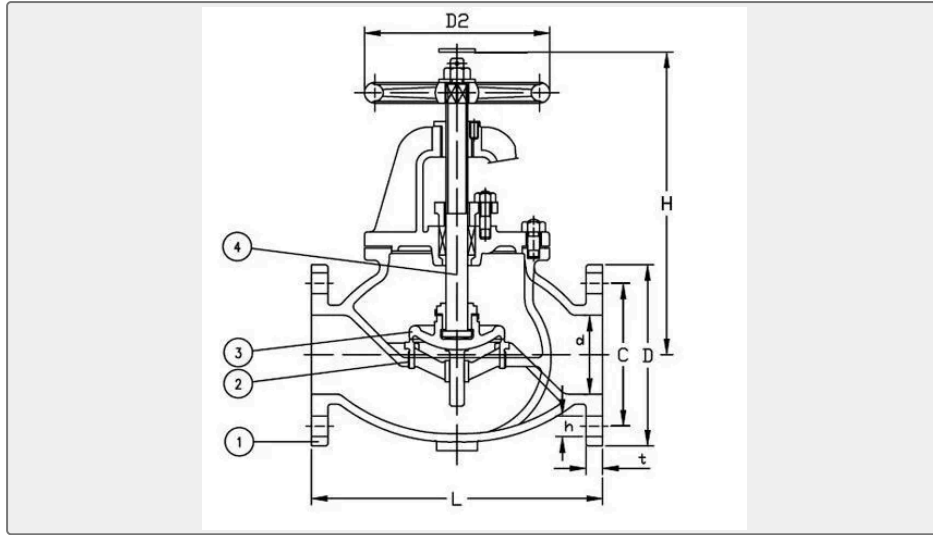
Category	JIS Marine Globe Valve	Model / SKU	Marine-Cast-Iron-Globe-Valve-JIS-F7307-10K
Standard	JIS	Material	Cast Iron
Weight / Size	Body-2.1Mpa, Seat-1.54Mpa Flange size as per JIS B2220 -10K Main Material:	Certificate	CCS, BV, ABS, GL, LR, DNV, NK,RINA
Warranty	12 Months unless specified otherwise	Origin	China

CONTENTS

- China Marine Cast Iron Globe Valve JIS F7307 10K:
- Main Material:
- Main Size List(mm):



China Marine Cast Iron Globe Valve JIS F7307 10K:



Marine Cast Iron Globe Valve is suitable for the pipe system with the medium fresh water, air & other gas, oil and steam with the temperature not over 205 centigrade degree.

Design Standard: JIS F7307-1996

Test Standard: JIS 7400-1996

Hydraulic Test Pressure: Body-2.1Mpa, Seat-1.54Mpa

Flange size as per JIS B2220 -10K

Main Material:

Body: Cast Iron (FC200)

Bonnet: Cast Iron (FC200)

Packing Gland: Bronze (BC6) or Stainless Steel (2Cr13)

Stem: C3771BD (Brass) or SUS403

Seat: Bronze (BC6) or Stainless Steel (2Cr13, SCS2)

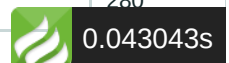
Disc: Bronze (BC6) or Stainless Steel (2Cr13, SCS2)

Gasket: non-asbestos

Handwheel: Cast Iron (FC200)

Main Size List(mm):

IMPA CODE	Size	L	D	C	t	H	No of Bolt	h	D2
750231	50	220	155	120	20	285	4	19	160
750232	65	270	175	140	22	310	4	19	200
750233	80	300	185	150	22	320	8	19	200
750234	100	350	210	175	24	370	8	19	250
750235	125	420	250	210	24	420	8	23	280



750236	150	490	280	240	26	470	8	23	315
750237	200	570	330	290	26	555	12	23	355
750238	250	740	400	355	30	680	12	25	450
750239	300	840	445	400	32	770	16	25	500