

JIS MARINE GLOBE VALVE

Marine Cast Iron Globe Valve JIS F7309 16K

- ISO9001 Supplier
- Class Certificate
- Export Supply

It is suitable for the pipe system with the medium fresh water, air & other gas, oil and steam with the temperature not over 205 centigrade degree. Design Standard: JIS F7309-1996 Test Standard: JIS 7400-...

	<h3 style="margin: 0;">Key Highlights</h3> <table border="1" style="width: 100%; border-collapse: collapse;"> <tr> <td style="background-color: #1a3d4d; color: white; padding: 5px;">Category</td> <td style="padding: 5px;">JIS Marine Globe Valve</td> </tr> <tr> <td style="background-color: #1a3d4d; color: white; padding: 5px;">Standard</td> <td style="padding: 5px;">JIS</td> </tr> <tr> <td style="background-color: #1a3d4d; color: white; padding: 5px;">Material</td> <td style="padding: 5px;">Cast Iron</td> </tr> <tr> <td style="background-color: #1a3d4d; color: white; padding: 5px;">Weight / Size</td> <td style="padding: 5px;">Body- 3.3Mpa, Seat-2.42Mpa Flange size as per JIS B2220 - 16K Main Mater...</td> </tr> <tr> <td style="background-color: #1a3d4d; color: white; padding: 5px;">Certificate</td> <td style="padding: 5px;">CCS, BV, ABS, GL, LR, DNV, NK,RINA</td> </tr> </table> <p style="font-size: small; margin-top: 10px;">We can supply according to your requirement, drawings, class certificate needs, and delivery schedule.</p>	Category	JIS Marine Globe Valve	Standard	JIS	Material	Cast Iron	Weight / Size	Body- 3.3Mpa, Seat-2.42Mpa Flange size as per JIS B2220 - 16K Main Mater...	Certificate	CCS, BV, ABS, GL, LR, DNV, NK,RINA
Category	JIS Marine Globe Valve										
Standard	JIS										
Material	Cast Iron										
Weight / Size	Body- 3.3Mpa, Seat-2.42Mpa Flange size as per JIS B2220 - 16K Main Mater...										
Certificate	CCS, BV, ABS, GL, LR, DNV, NK,RINA										

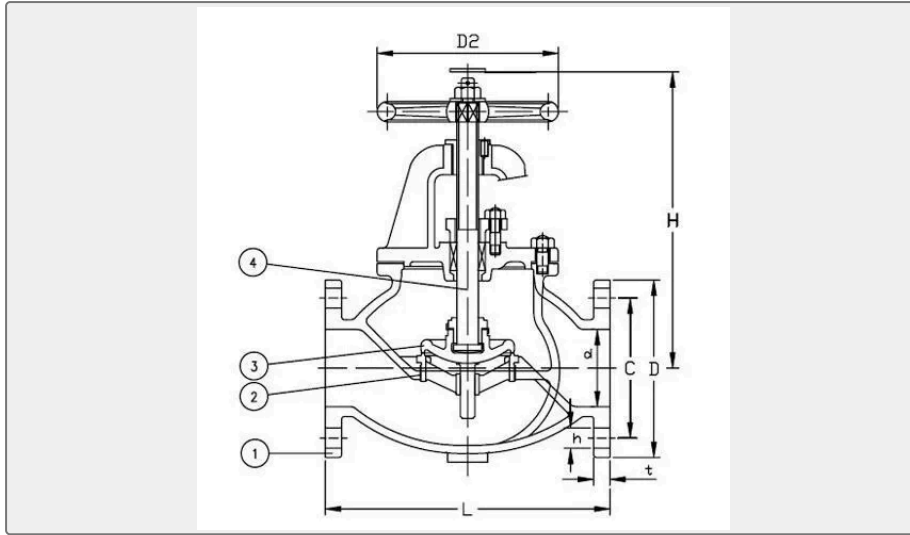
Technical Specifications

Category	JIS Marine Globe Valve	Model / SKU	Marine-Cast-Iron-Globe-Valve-JIS-F7309-16K
Standard	JIS	Material	Cast Iron
Weight / Size	Body- 3.3Mpa, Seat-2.42Mpa Flange size as per JIS B2220 - 16K Main Material:	Certificate	CCS, BV, ABS, GL, LR, DNV, NK,RINA
Warranty	12 Months unless specified otherwise	Origin	China

CONTENTS	<ul style="list-style-type: none"> ■ China Marine Cast Iron Globe Valve JIS F7309 16K: ■ Main Size List(mm): 	<ul style="list-style-type: none"> ■ Main Material:
-----------------	--	--



China Marine Cast Iron Globe Valve JIS F7309 16K:



It is suitable for the pipe system with the medium fresh water, air & other gas, oil and steam with the temperature not over 205 centigrade degree.

Design Standard: JIS F7309-1996

Test Standard: JIS 7400-1996

Hydraulic Test Pressure: Body- 3.3Mpa, Seat-2.42Mpa

Flange size as per JIS B2220 - 16K

Main Material:

Body: Cast Iron (FC200)

Bonnet: Cast Iron (FC200)

Packing Gland: Bronze (BC6) or Stainless Steel (2Cr13)

Stem: C3771BD (Brass) or SUS403

Seat: Bronze (BC6) or Stainless Steel (2Cr13, SCS2)

Disc: Bronze (BC6) or Stainless Steel (2Cr13, SCS2)

Gasket: non-asbestos

Main Size List(mm):

IMPA CODE	DN	L	D	C	No of bolt hole	h	t	H	D2	Weight(kgs)
750261	50	220	155	120	8	19	20	285	160	19.6
750262	65	270	175	140	8	19	22	310	200	28.3
750263	80	300	200	160	8	23	24	340	224	40.4
750264	100	350	225	185	8	23	26	385	250	56.9
750265	125	430	270	225	8	25	26	455	315	89.5
750266	150	500	305	260	12	25	28	510	355	



750267	200	570	350	305	12	25	30	630	450	188
--------	-----	-----	-----	-----	----	----	----	-----	-----	-----

