

JIS MARINE CHECK VALVE

Marine Cast Iron Lift Check Angle Valve JIS F7359 5K

ISO9001 Supplier

Class Certificate

Export Supply

Design Standard: JIS F7359-1996 Test Standard: JIS 7400-1996 Hydraulic Test Pressure: Body- 1.05Mpa, Seat-0.77Mpa~0.4Mpa Flange size as per JIS B2220 - 5K Main Material: 1-Body: Cast ...



Key Highlights

Category	JIS Marine Check Valve
Standard	JIS
Material	cast iron
Weight / Size	Body- 1.05Mpa, Seat- 0.77Mpa~0.4Mpa Flange size as per JIS B2220 - 5K Mai...
Certificate	CCS, BV, ABS, GL, LR, DNV, NK,RINA

We can supply according to your requirement, drawings, class certificate needs, and delivery schedule.

Technical Specifications

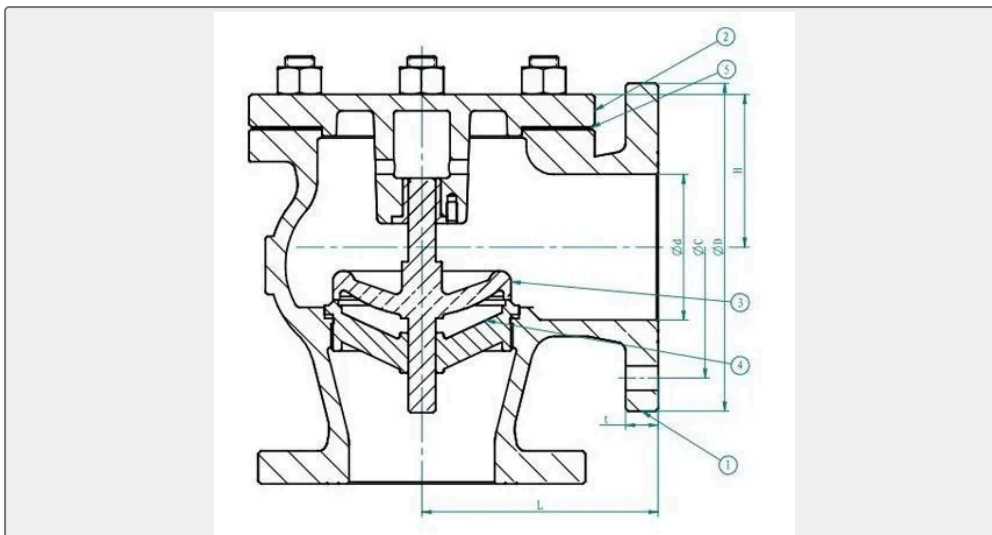
Category	JIS Marine Check Valve	Model / SKU	Marine-Cast-Iron-Lift-Check-Angle-Valve-JIS-F7359-5K
Standard	JIS	Material	cast iron
Weight / Size	Body- 1.05Mpa, Seat- 0.77Mpa~0.4Mpa Flange size as per JIS B2220 - 5K Main Material:	Certificate	CCS, BV, ABS, GL, LR, DNV, NK,RINA
Warranty	12 Months unless specified otherwise	Origin	China

CONTENTS

- China Marine Cast Iron Lift Check Angle Valve JIS F7359 5K:
- Main Size List(mm):
- Main Material:



China Marine Cast Iron Lift Check Angle Valve JIS F7359 5K:



Design Standard: JIS F7359-1996

Test Standard: JIS 7400-1996

Hydraulic Test Pressure: Body- 1.05Mpa, Seat-0.77Mpa~0.4Mpa

Flange size as per JIS B2220 - 5K

Main Material:

1-Body: Cast Iron (FC200)

2-Bonnet: Cast Iron (FC200)

3-Disc: Bronze (BC6)

4-Seat: Bronze (BC6)

5-Gasket: non-asbestos

Main Size List(mm):

IMPA CODE	DN	L	D	C	No of Bolt Hole	Bolt Hole Diameter	t	H
751321	50	100	130	105	4	15	16	77
751322	65	115	155	130	4	15	18	81
751323	80	130	180	145	4	19	18	84
751324	100	150	200	165	8	19	20	96
751325	125	170	235	200	8	19	20	108
751326	50	190	265	230	8	19	22	125
751327	200	220	320	280	8	23	24	157