

JIS MARINE CHECK VALVE

Marine Cast Iron Lift Check Globe Valve JIS F7358 5K

ISO9001 Supplier

Class Certificate

Export Supply

Design Standard: JIS F7358-1996 Test Standard: JIS 7400-1996 Hydraulic Test Pressure:
Body- 1.05Mpa, Seat-0.77Mpa~0.4Mpa Flange size as per JIS B2220 - 5K Main Material: 1-
Body: Cast ...



Key Highlights

Category	JIS Marine Check Valve
Standard	JIS
Material	cast iron
Weight / Size	Body- 1.05Mpa, Seat- 0.77Mpa~0.4Mpa Flange size as per JIS B2220 - 5K Mai...
Certificate	CCS, BV, ABS, GL, LR, DNV, NK,RINA

We can supply according to your requirement, drawings, class certificate needs, and delivery schedule.

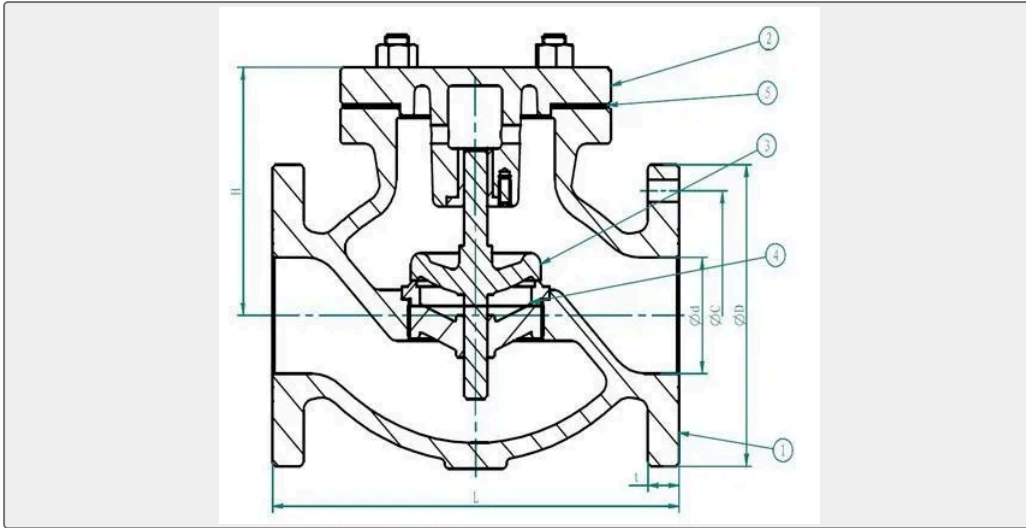
Technical Specifications

Category	JIS Marine Check Valve	Model / SKU	Marine-Cast-Iron-Lift-Check-Globe-Valve-JIS-F7358-5K
Standard	JIS	Material	cast iron
Weight / Size	Body- 1.05Mpa, Seat- 0.77Mpa~0.4Mpa Flange size as per JIS B2220 - 5K Main Material:	Certificate	CCS, BV, ABS, GL, LR, DNV, NK,RINA
Warranty	12 Months unless specified otherwise	Origin	China

CONTENTS

- China Marine Cast Iron Lift Check Globe Valve JIS F7358 5K:
- Main Material:
- Main Size List(mm):

China Marine Cast Iron Lift Check Globe Valve JIS F7358 5K:



Design Standard: JIS F7358-1996

Test Standard: JIS 7400-1996

Hydraulic Test Pressure: Body- 1.05Mpa, Seat-0.77Mpa~0.4Mpa

Flange size as per JIS B2220 - 5K

Main Material:

1-Body: Cast Iron (FC200)

2-Bonnet: Cast Iron (FC200)

3-Disc: Bronze (BC6)

4-Seat: Bronze (BC6)

5-Gasket: non-asbestos

Main Size List(mm):

IMPA CODE	DN	L	D	C	No of Bolt Hole	Bolt Hole Diameter	t	H
751311	50	210	130	105	4	15	16	107
751312	65	250	155	130	4	15	18	124
751313	80	280	180	145	4	19	18	129
751314	100	340	200	165	8	19	20	146
751315	125	410	235	200	8	19	20	166
751316	50	480	265	230	8	19	22	188
751317	200	570	320	280	8	23	24	212