

# Jinbo Marine

Marine &amp; Offshore Equipment Datasheet

PRODUCT DATASHEET

## JIS MARINE ANGLE VALVE

# Marine Cast Iron Screw Down Check Angle Valve JIS F7376 10K

Marine Cast Iron Screw Down Check Angle Valve also can be called as Marine Cast Iron Angle SDNR Valve or SDNR Angle Valve. It is suitable for the pipe system with the medium fresh water, air & other gas, oil and stea...

ISO9001 Supplier

Class Certificate

Export Supply



### Key Highlights

Category	JIS Marine Angle Valve
Standard	JIS
Material	Cast Iron
Weight / Size	Body-1.5Mpa, Seat-1.1Mpa Flange size as per JIS B2220 -10K * The standar...
Certificate	CCS, BV, ABS, GL, LR, DNV, NK,RINA, KR,IRS

We can supply according to your requirement, drawings, class certificate needs, and delivery schedule.

### Technical Specifications

Category	JIS Marine Angle Valve	Model / SKU	Marine-Cast-Iron-Screw-Down-Check-Angle-Valve-JIS-F7376-10K
Standard	JIS	Material	Cast Iron
Weight / Size	Body-1.5Mpa, Seat-1.1Mpa Flange size as per JIS B2220 -10K * The standard one is without indicator, if the customer needs the indicator for the SDNR Valve, pls state when inquiry or order.	Certificate	CCS, BV, ABS, GL, LR, DNV, NK,RINA, KR,IRS
Warranty	12 Months unless specified otherwise	Origin	China

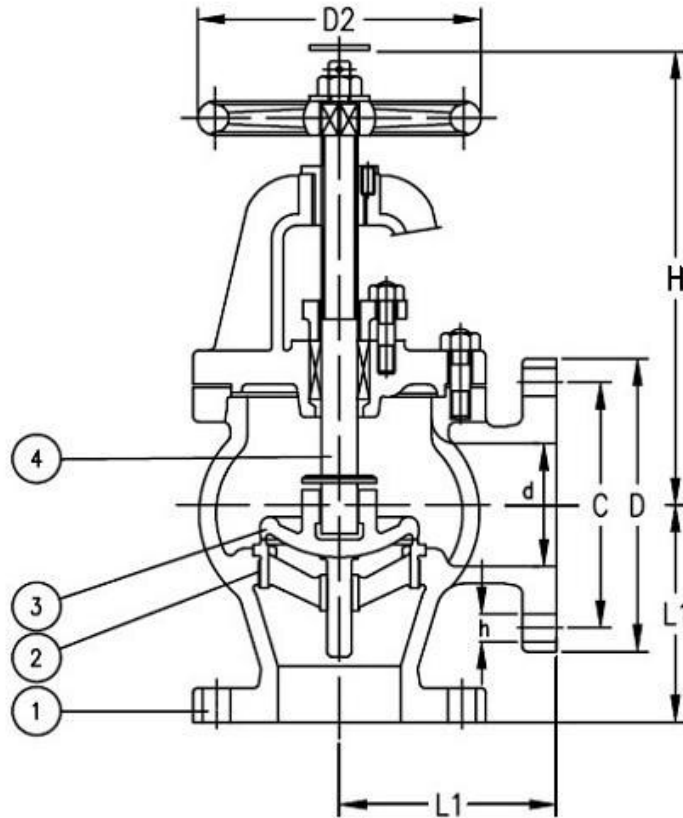
#### CONTENTS

- China Marine Cast Iron Screw Down Check Angle Valve JIS F7376 10K:
- Main Material:
- Main Size List(mm):



0.041063s

## Marine Cast Iron Screw Down Check Angle Valve JIS F7376 10K Drawing



### China Marine Cast Iron Screw Down Check Angle Valve JIS F7376 10K:

Marine Cast Iron Screw Down Check Angle Valve also can be called as Marine Cast Iron Angle SDNR Valve or SDNR Angle Valve. It is suitable for the pipe system with the medium fresh water, air & other gas, oil and steam with the temperature not over 205 centigrade degree.

Design Standard: JIS F7376-1996

Test Standard: JIS 7400-1996

Hydraulic Test Pressure: for DN200 & less: Body- 2.1Mpa, Seat-1.54Mpa~0.4Mpa, for DN250 & more: Body-1.5Mpa, Seat-1.1Mpa

Flange size as per JIS B2220 -10K

\* The standard one is without indicator, if the customer needs the indicator for the SDNR Valve, pls state when inquiry or order.

### Main Material:

Body: Cast Iron (FC200)

Bonnet: Cast Iron (FC200)

Packing Gland: Bronze (BC6) or Stainless Steel (2Cr13)

Stem: C3771BD (Brass) or SUS403

Seat: Bronze (BC6) or Stainless Steel (2Cr13, SCS2)

Disc: Bronze (BC6) or Stainless Steel (2Cr13, SCS2)



Gasket: non-asbestos

**Main Size List(mm):**

IMPA Code	Size	L1	D	C	No of bolt hole	h	t	H	D2	Weight
751141	50	120	155	120	4	19	20	255/255	160	18.2
751142	65	130	175	140	4	19	22	270/260	200	25.3
751143	80	140	185	150	8	19	22	275/270	200	27.5
751144	100	160	210	175	8	19	24	315/305	250	40.6
751145	125	180	250	210	8	23	24	360/350	280	69.8
751146	150	205	280	240	8	23	26	405/390	315	81.2
751147	200	230	330	290	12	23	26	475/450	355	124
751148	250	290	400	355	12	25	30	570	450	211
751149	300	320	445	400	16	25	32	645	500	293