

JIS MARINE GLOBE VALVE

Marine Cast Iron Screw Down Check Globe Valve JIS F7353 5K

ISO9001 Supplier

Class Certificate

Export Supply

Marine Cast Iron Screw Down Check Globe Valve also can be called as Marine Cast Iron SDNR Valve or SDNR Globe Valve. It is suitable for the pipe system with the medium fresh water, air & other gas, oil and steam with...



Key Highlights

Category	JIS Marine Globe Valve
Standard	JIS
Material	cast iron
Weight / Size	Body- 1.05Mpa, Seat-0.77Mpa Flange size as per JIS B2220 - 5K * The stan...
Certificate	CCS,BV,GL,NK,RINA,ABS,DN V

We can supply according to your requirement, drawings, class certificate needs, and delivery schedule.

Technical Specifications

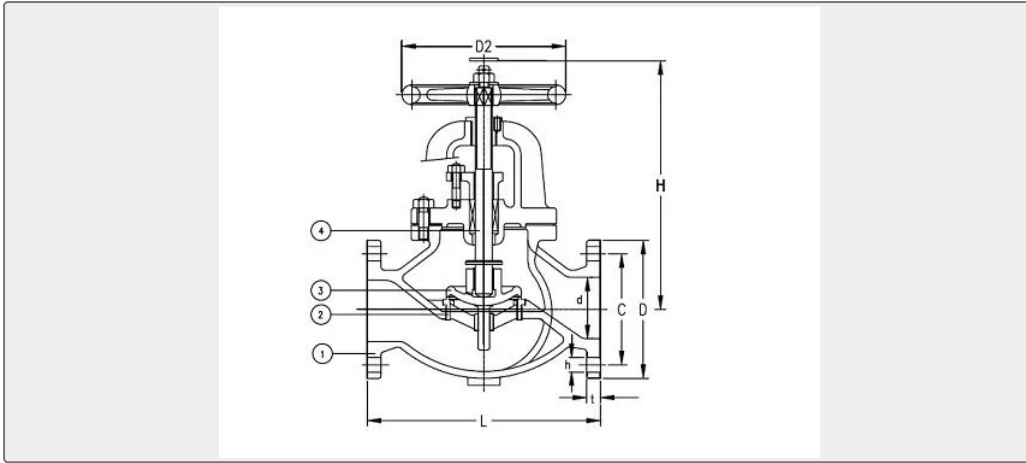
Category	JIS Marine Globe Valve	Model / SKU	Marine-Cast-Iron-Screw-Down-Check-Globe-Valve-JIS-F7353-5K
Standard	JIS	Material	cast iron
Weight / Size	Body- 1.05Mpa, Seat-0.77Mpa Flange size as per JIS B2220 - 5K * The standard one is without indicator, if the customer needs the indicator for the SDNR Valve, pls state when inquiry or order.	Certificate	CCS,BV,GL,NK,RINA,ABS,DNV
Warranty	12 Months unless specified otherwise	Origin	China

CONTENTS

- China Marine Cast Iron Screw Down Check Globe Valve JIS F7353 5K:
- Main Material:
- Main Size List(mm):



China Marine Cast Iron Screw Down Check Globe Valve JIS F7353 5K:



Marine Cast Iron Screw Down Check Globe Valve also can be called as Marine Cast Iron SDNR Valve or SDNR Globe Valve. It is suitable for the pipe system with the medium fresh water, air & other gas, oil and steam with the temperature not over 205 centigrade degree.

Design Standard: JIS F7353-1996

Test Standard: JIS 7400-1996

Hydraulic Test Pressure: Body- 1.05Mpa, Seat-0.77Mpa

Flange size as per JIS B2220 - 5K

* The standard one is without indicator, if the customer needs the indicator for the SDNR Valve, pls state when inquiry or order.

Main Material:

Body: Cast Iron (FC200)

Bonnet: Cast Iron (FC200)

Packing Gland: Bronze (BC6) or Stainless Steel (2Cr13)

Stem: C3771BD (Brass) or SUS403

Seat: Bronze (BC6) or Stainless Steel (2Cr13, SCS2)

Disc: Bronze (BC6) or Stainless Steel (2Cr13, SCS2)

Gasket: non-asbestos

Main Size List(mm):

IMPA Code	Size	L	Flange diam. (D)	Pitch (C)	No of Bolt Hole	h	t	H	D2	Weight
751101	50	210	130	105	4	15	16	270	160	14.8
751102	65	250	155	130	4	15	18	300	180	21.3
751103	80	280	180	145	4	19	18	310	180	27.6
751104	100	340	200	165	8	19	20	360	224	40.4
751105	125	410	235	200	8	19	20	390	250	57.9



751106	150	480	265	230	8	19	22	445	280	80.9
751107	200	570	320	280	8	23	24	530	315	139
751108	250	740	385	345	12	23	26	650	355	243
751109	300	840	430	390	12	23	28	740	400	377
751110	350	840	480	435	12	25	30	840	500	463
751111	400	1050	540	495	16	25	30	940	630	643