

JIS MARINE GLOBE VALVE

Marine Cast Iron Screw Down Check Globe Valve JIS F7375 10K

Marine Cast Iron Screw Down Check Globe Valve also can be called as Marine Cast Iron SDNR Valve or SDNR Globe Valve. It is suitable for the pipe system with the medium fresh water, air & other gas, oil and stea...

ISO9001 Supplier

Class Certificate

Export Supply



Key Highlights

Category	JIS Marine Globe Valve
Standard	JIS
Material	Cast Iron
Weight / Size	Body-2.1Mpa, Seat-1.54Mpa Flange size as per JIS B2220 -10K * The standa...
Certificate	CCS,BV,GL,NK,RINA,ABS,DN V,LR

We can supply according to your requirement, drawings, class certificate needs, and delivery schedule.

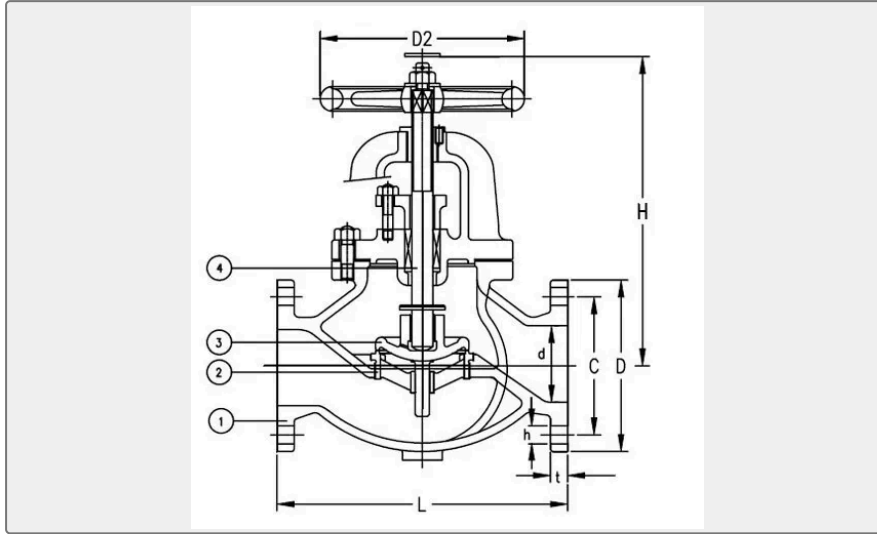
Technical Specifications

Category	JIS Marine Globe Valve	Model / SKU	Marine-Cast-Iron-Screw-Down-Check-Globe-Valve-JIS-F7375-10K
Standard	JIS	Material	Cast Iron
Weight / Size	Body-2.1Mpa, Seat-1.54Mpa Flange size as per JIS B2220 -10K * The standard one is without indicator, if the customer needs the indicator for the SDNR Valve, pls state when inquiry or order.	Certificate	CCS,BV,GL,NK,RINA,ABS,DNV,L R
Warranty	12 Months unless specified otherwise	Origin	China

CONTENTS

- China Marine Cast Iron Screw Down Check Globe Valve JIS F7375 10K:
- Main Material:
- Main Size List(mm):

China Marine Cast Iron Screw Down Check Globe Valve JIS F7375 10K:



Marine Cast Iron Screw Down Check Globe Valve also can be called as Marine Cast Iron SDNR Valve or SDNR Globe Valve. It is suitable for the pipe system with the medium fresh water, air & other gas, oil and steam with the temperature not over 205 centigrade degree.

Design Standard: JIS F7375-1996

Test Standard: JIS 7400-1996

Hydraulic Test Pressure: Body-2.1Mpa, Seat-1.54Mpa

Flange size as per JIS B2220 -10K

* The standard one is without indicator, if the customer needs the indicator for the SDNR Valve, pls state when inquiry or order.

Main Material:

Body: Cast Iron (FC200)

Bonnet: Cast Iron (FC200)

Packing Gland: Bronze (BC6) or Stainless Steel (2Cr13)


Stem: C3771BD (Brass) or SUS403

Seat: Bronze (BC6) or Stainless Steel (2Cr13, SCS2)

Disc: Bronze (BC6) or Stainless Steel (2Cr13, SCS2)

Gasket: non-asbestos

Main Size List(mm):

IMPA CODE	Size	L	D	C	t	H	No of Bolt	h	D2
751131	50	220	155	120	20	285	4	 0.038999s	

751132	65	270	175	140	22	310	4	19	200
751133	80	300	185	150	22	320	8	19	200
751134	100	350	210	175	24	370	8	19	250
751135	125	420	250	210	24	420	8	23	280
751136	150	490	280	240	26	470	8	23	315
751137	200	570	330	290	26	555	12	23	355
751137	250	740	400	355	30	680	12	25	450
751137	300	840	445	400	32	770	16	25	500