

Jinbo Marine

Marine & Offshore Equipment Datasheet

PRODUCT DATASHEET

JIS MARINE GLOBE VALVE

Marine Cast Iron Screw Down Check Globe Valve JIS F7377 16K

ISO9001 Supplier

Class Certificate

Export Supply

Marine Screw Down Check Globe Valve also can be called as SDNR Globe Valve or SDNR valve. Cast Iron SDNR valve is suitable for the pipe system with the medium fresh water, air & other gas, oil and steam with the temp...



Key Highlights

Category	JIS Marine Globe Valve
Standard	JIS
Material	Cast Iron
Weight / Size	Body- 3.3Mpa, Seat-2.42Mpa Flange size as per JIS B2220 - 16K Main Mater...
Certificate	CCS, BV, ABS, GL, LR, DNV, NK,RINA, KR,IRS

We can supply according to your requirement, drawings, class certificate needs, and delivery schedule.

Technical Specifications

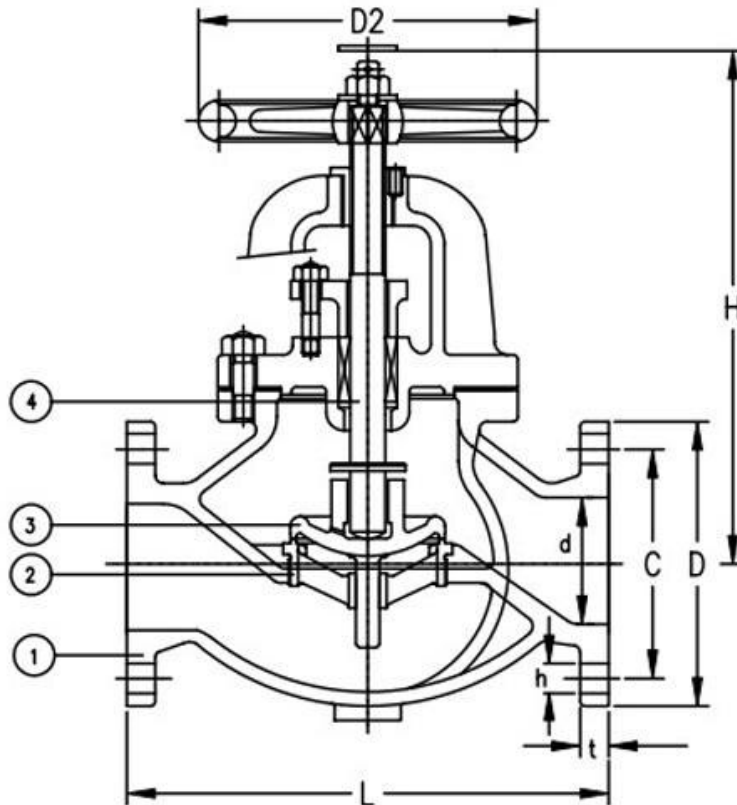
Category	JIS Marine Globe Valve	Model / SKU	Marine-Cast-Iron-Screw-Down-Check-Globe-Valve-JIS-F7377-16K
Standard	JIS	Material	Cast Iron
Weight / Size	Body- 3.3Mpa, Seat-2.42Mpa Flange size as per JIS B2220 - 16K Main Material:	Certificate	CCS, BV, ABS, GL, LR, DNV, NK,RINA, KR,IRS
Warranty	12 Months unless specified otherwise	Origin	China

CONTENTS

- China Marine Cast Iron Screw Down Check Globe Valve JIS F7377 16K:
- Main Material:
- Main Size List(mm):


 0.042765s

Marine Cast Iron Screw Down Check Globe Valve JIS F7377 16K Drawing



China Marine Cast Iron Screw Down Check Globe Valve JIS F7377 16K:

Marine Screw Down Check Globe Valve also can be called as SDNR Globe Valve or SDNR valve. Cast Iron SDNR valve is suitable for the pipe system with the medium fresh water, air & other gas, oil and steam with the temperature not over 205 centigrade degree.

Design Standard: JIS F7377-1996

Test Standard: JIS 7400-1996

Hydraulic Test Pressure: Body- 3.3Mpa, Seat-2.42Mpa

Flange size as per JIS B2220 - 16K

Main Material:

Body: Cast Iron (FC200)

Bonnet: Cast Iron (FC200)

Packing Gland: Bronze (BC6) or Stainless Steel (2Cr13)

Stem: C3771BD (Brass) or SUS403

Seat: Bronze (BC6) or Stainless Steel (2Cr13, SCS2)

Disc: Bronze (BC6) or Stainless Steel (2Cr13, SCS2)

Gasket: non-asbestos

Main Size List(mm):

IMPA CODE	DN	L	D	C	No of bolt hole	h	t	H	D2	Weight(kgs)
751151	50	220	155	120	8	19	20	285	160	19.6
751152	65	270	175	140	8	19	22	310	200	28.3
751153	80	300	200	160	8	23	24	340	224	40.4
751154	100	350	225	185	8	23	26	385	250	56.9
751155	125	430	270	225	8	25	26	455	315	89.5
751156	150	500	305	260	12	25	28	510	355	123
751156	200	570	350	305	12	25	30	630	450	188