

Jinbo Marine

Marine & Offshore Equipment Datasheet

PRODUCT DATASHEET

GB MARINE BOX VALVE

Marine Cast Iron Single Arrangement Suction Stop Box Valve GB/T1854-93

Marine Cast Iron Single Arrangement Suction Stop Box Valve has R/RS, S/SS types. R/RS is with duplex stop valves, S/SS is with triple stop valves. Design Standard:GB/T1854-93 Test Standard:GB600 Flange...

ISO9001 Supplier

Class Certificate

Export Supply



Key Highlights

Category	GB Marine Box Valve
Standard	GB
Material	Cast Iron
Weight / Size	Body-Cast Iron(HT200) Bonnet-Cast Iron (HT200) Disc-Bronze Seat-Bronze S...
Certificate	CCS, BV, ABS, GL, LR, DNV, NK,RINA, KR,IRS

We can supply according to your requirement, drawings, class certificate needs, and delivery schedule.

Technical Specifications

Category	GB Marine Box Valve	Model / SKU	Marine-Cast-Iron-Single-Arrangement-Suction-Stop-Box-Valve-GB-T1854-93
Standard	GB	Material	Cast Iron
Weight / Size	Body-Cast Iron(HT200) Bonnet-Cast Iron (HT200) Disc-Bronze Seat-Bronze Stem-Bronze / Stainless Steel Main Size List(mm):	Certificate	CCS, BV, ABS, GL, LR, DNV, NK,RINA, KR,IRS
Warranty	12 Months unless specified otherwise	Origin	China

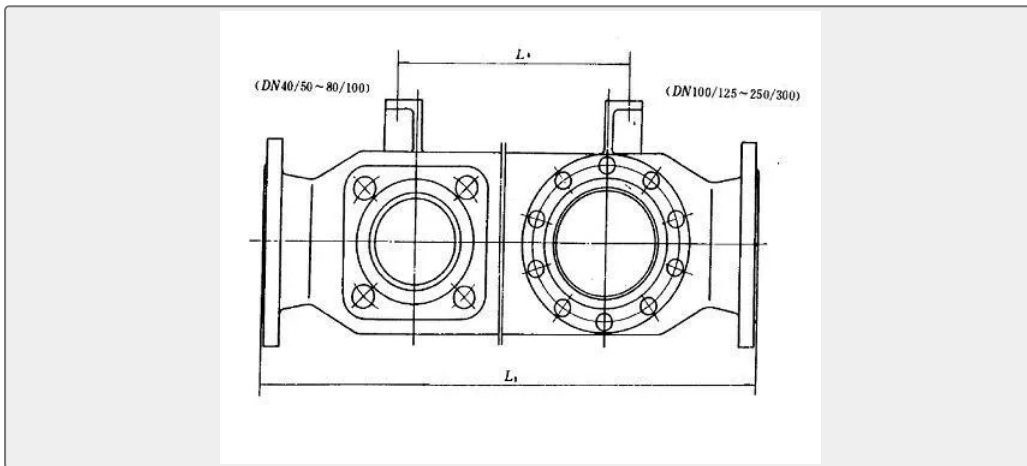
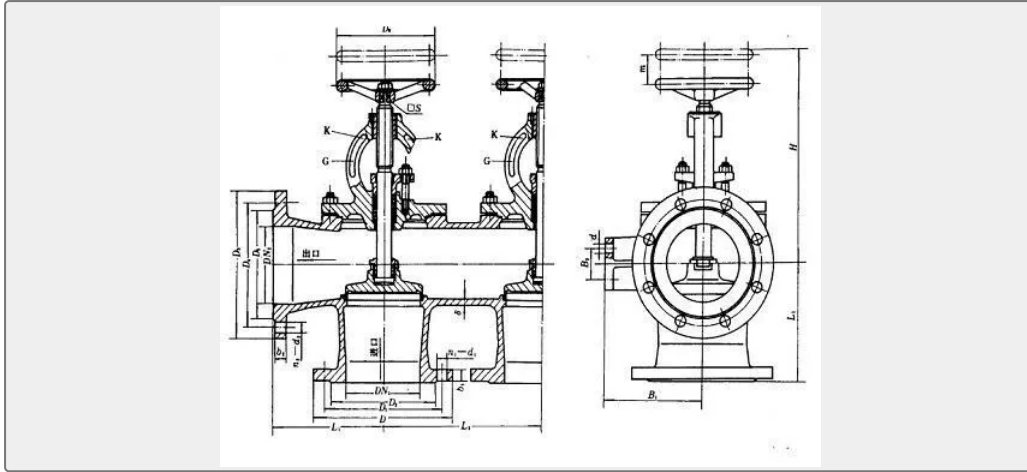
CONTENTS

- China Marine Cast Iron Single Arrangement Suction Stop Box Valve GB/T1854-93:
- Main Material:
- Main Size List(mm):



0.044455s

China Marine Cast Iron Single Arrangement Suction Stop Box Valve GB/T1854-93:



Marine Cast Iron Single Arrangement Suction Stop Box Valve has R/RS, S/SS types. R/RS is with duplex stop valves, S/SS is with triple stop valves.

Design Standard:GB/T1854-93

Test Standard:GB600

Flange as per GB569 or GB2501

Nominal Pressure (Mpa)	Nominal Diameter(mm)	Applicable Medium
1.0	40/50--150/200	sea water, fresh water
0.6	200/250--250/300	

Main Material:

Body-Cast Iron(HT200)

Bonnet-Cast Iron (HT200)

Disc-Bronze

Seat-Bronze

Stem-Bronze / Stainless Steel



Main Size List(mm):

Type R, S:

PN (MPa)	DN (mm)		Structure Dimension										δ	connection dimension of flange										
			L1	L2	L3		L4		H	B1	B2	d		Inlet DN1					Outlet DN2					bolt Th.
	R	S			R	S	D1	D2						b1	n1-d2	D3	D4	D5	b2	n2-d2				
1.0	40	50	110	160	380	540	210	370	236	95	53	13	8	125	93	74	16	6-15	135	130	84	16	6-15	M14
	50	65	120	180	420	600	230	410	256	100	55	13	8	135	100	84	16	6-15	155	152	104	16	6-15	M14
	65	80	130	200	440	620	230	410	277	102	55	13	9	155	120	100	16	6-15	177	173	118	16	8-15	M14
	80	100	140	220	480	680	260	460	304	103	60	13	9	177	138	118	16	8-15	199	195	138	16	8-15	M14
	100	125	150	240	570	800	290	520	325	105	60	13	10	199	158	138	16	8-15	225	218	164	16	10-15	M14
	125	150	180	280	650	900	310	550	366	106	60	13	10	225	183	164	16	10-15	250	240	190	16	12-15	M14
	150	200	230	350	740	1020	340	620	416	107	65	13	10	250	208	190	16	12-15	275	264	217	16	12-15	M14
0.6	200	250	208	300	940	1320	406	820	543	205	80	21	3	295	224	227	16	12-15	355	337	306	16	14-17	M14
	250	300	240	360	1260	1700	504	1040	623	207	80	21	4	365	287	306	16	14-17	435	416	386	16	14-19	M16

Type RS,SS:

PN (MPa)	DN (mm)		Structure Dimension										δ	connection dimension of flange									
			L1	L2	L3		L4		H	B1	B2	d		Inlet DN1					Outlet DN2				
	RS	SS			RS	SS	D1	D2						b1	n1-d2	D3	D4	D5	b2	n2-d2			



1.0	40	50	1 1 5	1 8 0	41 0	59 0	2 3 0	4 1 0	2 3 6	1 0 5	5 0	1 3	8	1 2 5	11 0	8 8	1 8	4- 18	1 6 5	1 2 5	1 0 2	2 0	4- 18	M 16
	50	65	1 2 5	1 9 5	44 5	65 0	2 4 5	4 4 0	2 5 6	1 1 5	5 0	1 5	8	1 6 5	1 2 5	1 0 2	2 0	4- 18	1 8 5	1 4 5	1 2 2	2 0	4- 18	M 16
	65	80	1 4 5	2 1 5	50 5	72 0	2 6 5	4 8 0	2 7 7	1 3 5	5 0	1 5	9	1 8 5	1 4 5	1 2 2	2 0	4- 18	2 0 0	1 6 0	1 3 3	2 2 3	8- 18	M 16
	80	100	1 5 5	2 3 0	54 0	77 0	2 9 0	5 2 0	3 0 4	1 4 5	6 0	1 7	9	2 0 0	1 6 3	1 2 3	2 2	8- 18	2 2 0	1 8 0	1 5 8	2 4 8	8- 18	M 16
	100	125	1 7 5	2 7 0	62 0	89 0	3 3 0	6 0 0	3 2 5	1 6 5	6 0	1 7	1 0	2 2 0	1 8 8	1 5 4	2 4	8- 18	2 5 0	2 1 0	1 8 4	2 6 4	8- 18	M 16
	125	150	2 0 0	2 9 0	69 0	98 0	3 5 0	6 4 0	3 6 6	1 8 0	6 0	1 7	1 0	2 5 0	2 1 4	1 8 4	2 6	8- 18	2 8 5	2 4 0	2 1 2	2 6 2	8- 22	M 16
	150	200	2 2 5	3 2 5	77 5	110 0	3 8 5	7 1 0	4 1 6	2 0 0	6 0	1 7	1 1	2 8 5	2 4 2	2 1 2	2 6	8- 22	3 4 0	2 9 5	2 6 8	2 8 2	8- 22	M 20
0.6	200	250	2 7 5	3 8 0	93 0	130 10	4 5 0	8 3 0	5 4 3	2 4 0	7 0	2 1	1 3	3 2 0	2 8 8	2 5	8- 18	3 7 5	3 3 5	3 1 2	2 4 2	12 -1 8	M 16	
	250	300	3 2 5	4 3 5	108 0	150 15	5 0 5	9 4 0	6 2 3	2 8 0	7 0	2 1	1 4	3 7 5	3 3 2	3 1 2	2 4	12 -1 8	4 4 0	3 9 5	3 6 5	2 4 2	12 -2 2	M 16