

# Jinbo Marine

Marine &amp; Offshore Equipment Datasheet

PRODUCT DATASHEET

## GB MARINE BOX VALVE

# Marine Cast Iron Single Arrangement Suction Stop Check Box Valve GB/T1855-93

ISO9001 Supplier

Class Certificate

Export Supply

Marine Cast Iron Single Arrangement Suction Stop Check Box Valve has R/RS, S/SS types. R/RS is with duplex stop check valves, S/SS is with triple stop check valves. Design Standard:GB/T1855-93 Test Standard:G...



### Key Highlights

Category	GB Marine Box Valve
Standard	GB
Material	Cast Iron
Weight / Size	Body-Cast Iron(HT200) Bonnet-Cast Iron (HT200) Disc-Bronze Seat-Bronze S...
Certificate	CCS, BV, ABS, GL, LR, DNV, NK,RINA, KR,IRS

We can supply according to your requirement, drawings, class certificate needs, and delivery schedule.

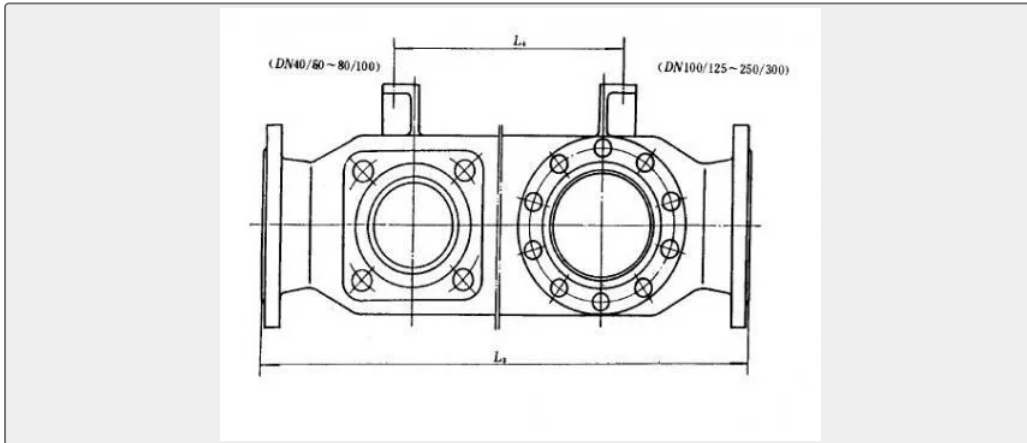
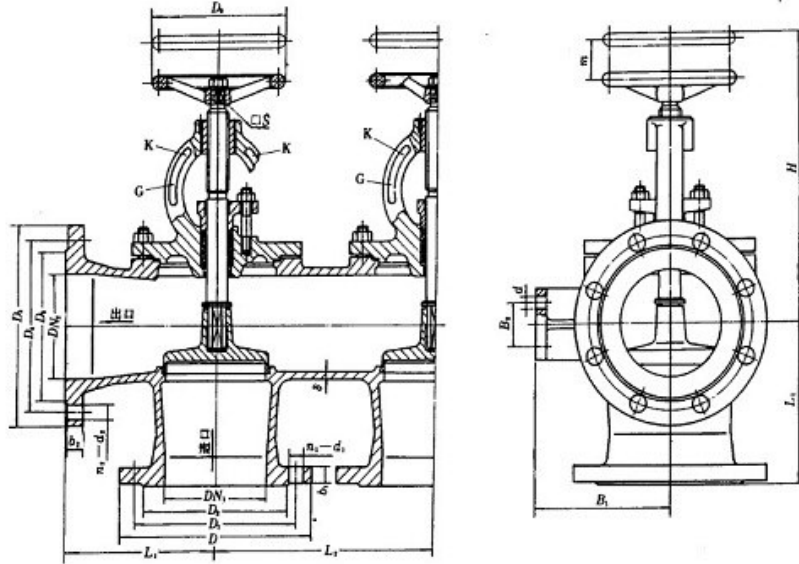
### Technical Specifications

Category	GB Marine Box Valve	Model / SKU	Marine-Cast-Iron-Single-Arrangement-Suction-Stop-Check-Box-Valve-GB-T1855-93
Standard	GB	Material	Cast Iron
Weight / Size	Body-Cast Iron(HT200) Bonnet-Cast Iron (HT200) Disc-Bronze Seat-Bronze Stem-Bronze / Stainless Steel Main Size List(mm):	Certificate	CCS, BV, ABS, GL, LR, DNV, NK,RINA, KR,IRS
Warranty	12 Months unless specified otherwise	Origin	China



<b>CONTENTS</b>	■ China Marine Cast Iron Single Arrangement Suction Stop Check Box Valve GB/T1855-93:	■ Main Material:
	■ Main Size List(mm):	

## China Marine Cast Iron Single Arrangement Suction Stop Check Box Valve GB/T1855-93:



Marine Cast Iron Single Arrangement Suction Stop Check Box Valve has R/RS, S/SS types. R/RS is with duplex stop check valves, S/SS is with triple stop check valves.

Design Standard:GB/T1855-93

Test Standard:GB600

Flange as per GB569 or GB2501

Nominal Pressure (Mpa)	Nominal Diameter(mm)	Applicable Medium
1.0	40/50--150/200	sea water, fresh water
0.6	200/250--250/300	



**Main Material:**

Body-Cast Iron(HT200)

Bonnet-Cast Iron (HT200)

Disc-Bronze

Seat-Bronze

Stem-Bronze / Stainless Steel

**Main Size List(mm):**

Type R, S:

PN (MPa)	DN (mm)		Structure Dimension										$\delta$	connection dimension of flange										
			L1	L2	L3		L4		H	B1	B2	d		Inlet DN1					Outlet DN2					bolt Th.
					R	S	R	S						D1	D2	b1	n1-d2	D3	D4	D5	b2	n2-d2		
1.0	40	50	110	116	380	540	210	370	236	95	50	13	8	125	93	74	116	6-15	135	130	84	116	6-15	M14
	50	65	120	128	420	600	230	410	256	100	50	15	8	135	103	84	116	6-15	155	152	104	116	6-15	M14
	65	80	130	138	440	620	230	410	277	102	50	15	9	155	123	104	116	6-15	170	173	118	116	8-15	M14
	80	100	140	150	480	680	260	460	304	103	60	17	9	170	138	115	116	8-15	190	195	138	116	8-15	M14
	100	125	150	163	570	800	290	520	325	105	60	17	10	190	158	138	116	8-15	215	218	164	116	10-15	M14
	125	150	170	185	650	900	310	550	366	106	60	17	10	215	183	164	116	10-15	240	248	194	116	12-15	M14
	150	200	180	193	740	1020	340	620	416	107	60	17	10	240	208	194	116	12-15	265	274	214	116	12-15	M14
0.6	200	250	208	238	940	1320	446	826	543	205	80	21	13	295	264	247	116	12-15	355	357	306	116	14-17	M14
	250	300	240	266	1260	1720	544	1044	623	200	80	21	14	365	327	306	116	14-17	430	438	360	116	14-19	M16

Type RS,SS:



PN (MPa)	DN (mm)		Structure Dimension										$\delta$	connection dimension of flange									
			L1	L2	L3		L4		H	B1	B2	d		Inlet DN1					Outlet DN2				
	R	S			R	S	D	D1						D2	b	n1-d2	D3	D4	D5	b2	n2-d2		
1.0	40	50	115	180	410	590	230	410	230	130	500	130	8	125	110	88	188	165	125	110	200	418	M16
	50	65	125	195	445	650	245	445	245	135	510	135	8	135	120	100	180	165	125	110	210	418	M16
	65	80	145	215	505	720	265	485	265	145	515	145	9	145	130	110	180	200	135	125	230	818	M16
	80	100	155	230	540	770	290	520	300	155	600	155	9	160	140	120	180	220	140	135	240	818	M16
	100	125	175	255	620	890	330	600	320	175	660	175	10	175	160	140	180	250	150	145	260	818	M16
	125	150	200	280	690	980	370	640	360	200	700	200	10	185	170	150	180	260	160	155	270	822	M16
	150	200	225	305	775	1100	385	710	410	225	700	225	10	195	180	160	220	340	165	160	280	822	M20
0.6	200	250	275	380	930	1310	440	830	540	740	220	13	320	280	250	180	370	330	330	450	1218	M16	
	250	300	325	435	1080	1515	505	940	620	800	230	14	330	290	260	190	410	370	370	490	1218	M16	