

Jinbo Marine

Marine & Offshore Equipment Datasheet

PRODUCT DATASHEET

JIS MARINE CHECK VALVE

Marine Cast Iron Swing Check Valve JIS F7372

ISO9001 Supplier

Class Certificate

Export Supply

Design Standard: JIS F7372-1996 Test Standard: JIS 7400-1996 Hydraulic Test Pressure:
Body- 1.05Mpa, Seat-0.77Mpa~0.4Mpa Flange size as per JIS B2220 - 5K Main Material: 1-
Body: Cast Iron (F...



Key Highlights

Category	JIS Marine Check Valve
Standard	JIS
Material	Cast Iron
Weight / Size	Body- 1.05Mpa, Seat- 0.77Mpa~0.4Mpa Flange size as per JIS B2220 - 5K Mai...
Certificate	CCS,BV,GL,NK,RINA,ABS,DN V,LR

We can supply according to your requirement, drawings, class certificate needs, and delivery schedule.

Technical Specifications

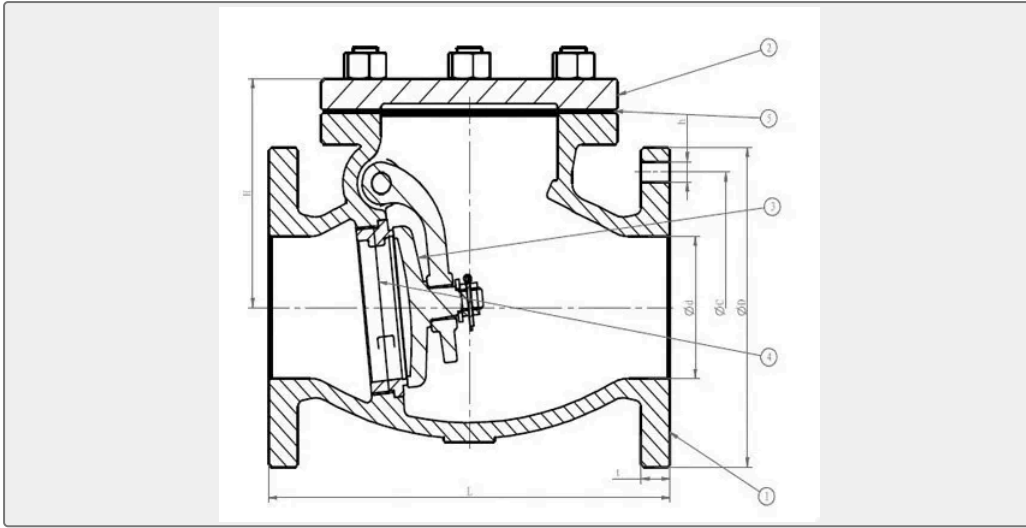
Category	JIS Marine Check Valve	Model / SKU	Marine-Cast-Iron-Swing-Check-Valve-JIS-F7372
Standard	JIS	Material	Cast Iron
Weight / Size	Body- 1.05Mpa, Seat- 0.77Mpa~0.4Mpa Flange size as per JIS B2220 - 5K Main Material:	Certificate	CCS,BV,GL,NK,RINA,ABS,DNV,L R
Warranty	12 Months unless specified otherwise	Origin	China

CONTENTS

- China Marine Cast Iron Swing Check Valve JIS F7372:
- Main Material:
- Main Size List(mm):



China Marine Cast Iron Swing Check Valve JIS F7372:



Design Standard: JIS F7372-1996

Test Standard: JIS 7400-1996

Hydraulic Test Pressure: Body- 1.05Mpa, Seat-0.77Mpa~0.4Mpa

Flange size as per JIS B2220 - 5K

Main Material:

1-Body: Cast Iron (FC200)

2-Bonnet: Cast Iron (FC200)

3-Disc: Bronze (BC6) or Stainless Steel

4-Seat: Bronze (BC6) or Stainless Steel

5-Gasket: non-asbestos

Main Size List(mm):

IMPA Code	Size	L	D	C	t	No of Bolt	h	H
751421	50	190	130	105	16	4	15	97
751422	65	220	155	130	16	4	15	119
751423	80	250	180	145	18	4	19	129
751424	100	280	200	165	20	8	19	146
751425	125	330	235	200	20	8	19	171
751426	150	380	265	230	22	8	19	198
751427	200	460	320	280	24	8	23	235
751428	250	550	385	345	26	12	23	290
751429	300	640	430	390	28	12	23	351