

GB MARINE QUICK CLOSING VALVE

Marine Cast Steel Air-Actuated Quick Closing Valve

ISO9001 Supplier

Class Certificate

Export Supply

Marine Cast Steel Pneumatic Quick Closing Valve is air-actuated, and also can be controlled by the rope, used as the emergency shut-off valve for marine fresh water, fuel oil, lubrication oil pipe system. It also can be ...



Key Highlights

Category	GB Marine Quick Closing Valve
Standard	GB
Material	Cast Steel
Weight / Size	Body-Cast Steel Bonnet-Cast Steel Disc-Carbon Steel Stem-Stainless Steel...
Certificate	CCS, BV, DNV/GL, RINA, NK, ABS, GL, IRS, RMRS

We can supply according to your requirement, drawings, class certificate needs, and delivery schedule.

Technical Specifications

Category	GB Marine Quick Closing Valve	Model / SKU	Marine-Cast-Steel-Air-Actuated-Quick-Closing-Valve
Standard	GB	Material	Cast Steel
Weight / Size	Body-Cast Steel Bonnet-Cast Steel Disc-Carbon Steel Stem-Stainless Steel Piston-Brass Air Cylinder---Stainless Steel Main Size(mm):	Certificate	CCS, BV, DNV/GL, RINA, NK, ABS, GL, IRS, RMRS
Warranty	12 Months unless specified otherwise	Origin	China

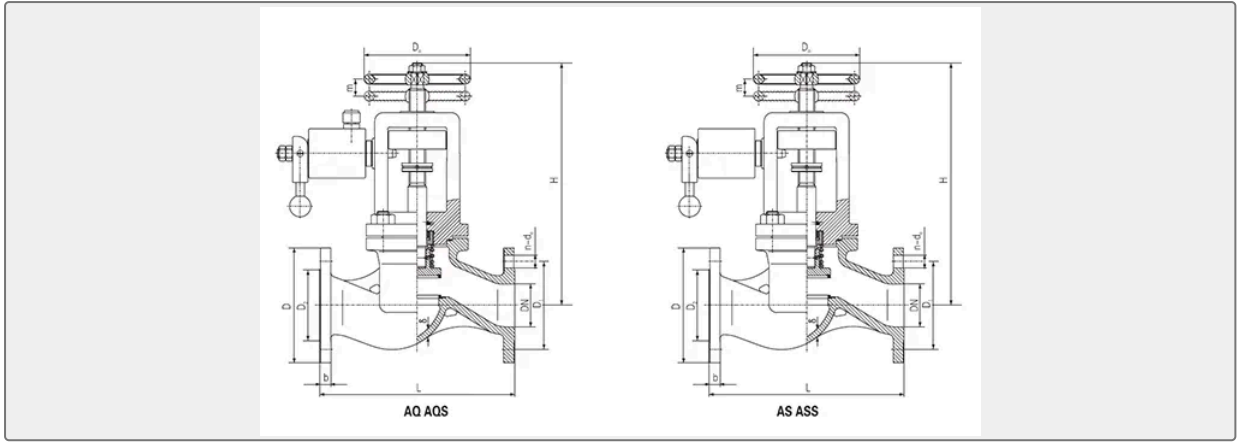
CONTENTS

- China Marine Cast Steel Air-Actuated Quick Closing Valve:
- Main Parts & Material:
- Technical Specification:
- Main Size(mm):



0.054516s

China Marine Cast Steel Air-Actuated Quick Closing Valve:



Marine Cast Steel Pneumatic Quick Closing Valve is air-actuated, and also can be controlled by the rope, used as the emergency shut-off valve for marine fresh water, fuel oil, lubrication oil pipe system. It also can be opened/closed by the handwheel as the stop valve. When in emergency, it can be closed by hand on the spot, or remotely.

Technical Specification:

Design Standard: GB/T5744-2008

Test Standard: GB600

Nominal Pressure: 0.6Mpa~2.5Mpa

Flange Standard: GB2501

Working Pressure of Cylinder: 0.3~0.7Mpa

Main Parts & Material:

Body-Cast Steel

Bonnet-Cast Steel

Disc-Carbon Steel

Stem-Stainless Steel

Piston-Brass

Air Cylinder---Stainless Steel

Main Size(mm):

Nominal Size	Structural Size				Handwheel	Lift Range	Flange												Cylinder Volume
	L		H				L0	b	PN6			PN10			PN16			PN25	
DN	Type A	Type B	Type A	Type B	Do	m			D	D1	n-d	D	D1	n-d	D	D1	n-d	D	D1



15	13 0	90	20 5	22 0	1 9 8	80	8	1 4	8 0	5 5	4- 11	9 5	6 5	4- 1 4	9 5	6 5	4- 14	9 5	6 5	4- 14	0.075
20	15 0	95	21 0	22 0	1 9 8	80	8	1 6	9 0	6 5	4- 11	1 0 5	7 5	4- 1 4	1 0 5	7 5	4- 14	1 0 5	7 5	4- 14	
25	16 0	10 0	23 0	22 0	1 9 8	80	9	1 6	1 0 0	7 5	4- 11	11 5	8 5	4- 1 4	11 5	8 5	4- 14	11 5	8 5	4- 14	
32	18 0	10 5	23 0	22 0	1 9 8	100	9	1 8	1 2 0	9 0	4- 1 4	1 4 0	1 0 0	4- 1 8	1 4 0	1 0 0	4- 18	1 4 0	1 0 0	4- 18	
40	20 0	11 5	26 0	26 5	2 3 5	120	13	1 8	1 3 0	1 0 0	4- 1 4	1 5 0	11 0	4- 1 8	1 5 0	11 0	4- 18	1 5 0	11 0	4- 18	
50	23 0	12 5	29 0	26 5	2 4 0	140	16	2 0	1 4 0	11 0	4- 1 4	1 6 5	1 2 5	4- 1 8	1 6 5	1 2 5	4- 18	1 6 5	1 2 5	4- 18	0.166
65	29 0	14 5	31 5	29 0	2 4 5	140	19	2 2	1 6 0	1 3 0	4- 1 4	1 8 5	1 4 5	8- 1 8	1 8 5	1 4 5	8- 18	1 8 5	1 4 5	8- 18	
80	31 0	15 5	33 0	30 0	2 4 5	160	23	2 2	1 9 0	1 5 0	4- 1 8	2 0 0	1 6 0	8- 1 8	2 0 0	1 6 0	8- 18	2 0 0	1 6 0	8- 18	
100	35 0	17 5	38 5	33 5	2 4 5	180	30	2 2	2 1 0	1 7 0	4- 1 8	2 2 0	2 8 0	8- 1 8	2 2 0	2 8 0	8- 18	2 3 5	1 9 0	8- 22	
125	40 0	20 0	44 2	36 5	2 5 5	180	40	2 2	2 4 0	2 0 0	8- 1 8	2 5 0	2 1 5	8- 2 2	2 5 0	2 1 5	8- 22	2 7 0	2 2 0	8- 26	
150	48 0	22 5	48 5	40 0	2 6 0	200	44	2 4	2 6 5	2 5 5	8- 1 8	2 8 5	2 4 0	8- 2 2	2 8 5	2 4 0	8- 22	3 0 0	2 5 0	8- 26	
200	60 0	27 5	60 5	51 0	2 8 0	320	64	2 4	3 2 0	2 8 0	8- 1 8	3 4 0	2 9 5	8- 2 2	3 4 5	2 9 5	12- 2	3 6 0	3 1 0	12- 6	

