

Jinbo Marine

Marine & Offshore Equipment Datasheet

PRODUCT DATASHEET

CB MARINE SAFETY VALVE

Marine Cast Steel Angle Safety Valve

Marine angle safety valve is used on the pipe system with the medium sea water, fresh water and steam not over 220 degree centigrade. Design Standard:CB304-92 (for reference) Test Standard: GB600, CB3021 ...

ISO9001 Supplier

Class Certificate

Export Supply



Key Highlights

Category	CB Marine Safety Valve
Standard	GB
Material	Cast Steel
Weight / Size	GB600, CB3021 Flange size as per GB569 or GB2501 Type Nominal Pressure(M...
Certificate	CCS

We can supply according to your requirement, drawings, class certificate needs, and delivery schedule.

Technical Specifications

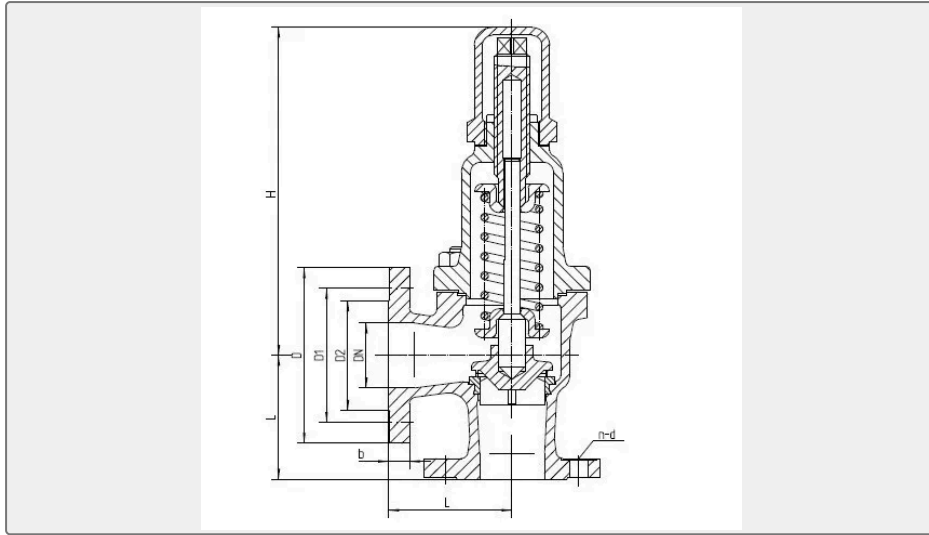
Category	CB Marine Safety Valve	Model / SKU	Marine-Cast-Steel-Angle-Safety-Valve
Standard	GB	Material	Cast Steel
Weight / Size	GB600, CB3021 Flange size as per GB569 or GB2501 Type Nominal Pressure(Mpa) Nominal Diameter(mm) B,BS 0.1-0.3 25-80 >0.3-0.6 25-80 >0.6-0.9 25-80 >0.9-1.6 50 Main Parts & Material:	Certificate	CCS
Warranty	12 Months unless specified otherwise	Origin	China

CONTENTS

- China Marine Cast Steel Angle Safety Valve:
- Main Parts & Material:
- Main Size List(mm):

 0.050478s

China Marine Cast Steel Angle Safety Valve:



Marine angle safety valve is used on the pipe system with the medium sea water, fresh water and steam not over 220 degree centigrade.

Design Standard:CB304-92 (for reference)

Test Standard: GB600, CB3021

Flange size as per GB569 or GB2501

Type	Nominal Pressure(Mpa)	Nominal Diameter(mm)
B,BS	0.1-0.3	25-80
	>0.3-0.6	25-80
	>0.6-0.9	25-80
	>0.9-1.6	50

Main Parts & Material:

Body-Cast Steel (ZG230,ZG275)

Bonnet-Cast Steel ((ZG230,ZG275)

Disc-Bronze

Stem-Bronze


Seal Ring-Stainless Steel

Spring-Spring steel wire

Main Size List(mm):

For Type B:

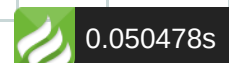
nominal diameter	nominal pressure	Structure Dimension		Thickness δ	connection dimension of flange						Weight (kg)	
		L	H		D	D1	D2	d	b	n		Th.

 0.050478s

25	0.1~0.3	174	80	7	105	73	56	13	12	4	M12	5.5
25	>0.3~0.6	174	80	7	105	73	56	13	12	4	M12	5.53
25	>0.6~0.9	174	80	7	105	73	56	13	12	4	M12	5.58
32	0.1~0.3	200	85	7	115	83	64	15	13	6	M14	6.27
32	>0.3~0.6	200	85	7	115	83	64	15	13	6	M14	6.33
32	>0.6~0.9	200	85	7	115	83	64	15	15	6	M14	6.39
40	0.1~0.3	210	90	8	125	93	74	15	13	6	M14	8.06
40	>0.3~0.6	210	90	8	125	93	74	15	13	6	M14	8.18
40	>0.6~0.9	210	90	8	125	93	74	15	13	6	M14	8.22
50	0.1~0.3	252	95	8	135	103	84	15	13	8	M14	11.5
50	>0.3~0.6	252	95	8	135	103	84	15	13	8	M14	11.63
50	>0.6~0.9	252	95	8	135	103	84	15	13	8	M14	11.73
50	>0.9~1.6	252	95	8	135	103	84	15	13	8	M14	12.13
65	0.1~0.3	316	115	9	155	123	104	15	14	8	M14	17.47
65	>0.3~0.6	316	115	9	155	123	104	15	14	8	M14	17.87
65	>0.6~0.9	316	115	9	155	123	104	15	14	8	M14	19.33
80	0.1~0.3	348	125	9	170	138	118	15	14	8	M14	22.3
80	>0.3~0.6	348	125	9	170	138	118	15	14	8	M14	23.6
80	>0.6~0.9	348	125	9	170	138	118	15	14	8	M14	24.4

For Type BS:

nominal diameter	nominal pressure	Structure Dimension		Thickness δ	connection dimension of flange							Weight (kg)
		L	H		D	D1	D2	d0	b	n	Th.	
25	0.1~0.3	174	100	7	115	85	68	14	16	4	M12	7.2
25	>0.3~0.6	174	100	7	115	85	68	14	16	4	M12	7.23
25	>0.6~0.9	174	100	7	115	85	68	14	16	4	M12	7.3
32	0.1~0.3	200	105	7	140	100	78	18	18	4	M16	10
32	>0.3~0.6	200	105	7	140	100	78	18	18	4	M16	10.12
32	>0.6~0.9	200	105	7	140	100	78	18	18	4	M16	10.19
40	0.1~0.3	210	115	8	150	110	88	18	18	4	M16	11.58
40	>0.3~0.6	210	115	8	150	110	88	18	18	4	M16	11.68
40	>0.6~0.9	210	115	8	150	110	88	18	18	4	M16	11.78
50	0.1~0.3	252	125	8	165	125	102	18	20	4	M16	17.1



50	>0.3~0.6	252	125	8	165	125	102	18	20	4	M16	18.2
50	>0.6~0.9	252	125	8	165	125	102	18	20	4	M16	18.4
50	>0.9~1.6	252	125	8	165	125	102	18	20	4	M16	18.8
65	0.1~0.3	316	145	9	185	145	122	18	20	4	M16	28.7
65	>0.3~0.6	316	145	9	185	145	122	18	20	4	M16	29.1
65	>0.6~0.9	316	145	9	185	145	122	18	20	4	M16	30.56
80	0.1~0.3	348	155	9	200	160	133	18	20	8	M16	37.7
80	>0.3~0.6	348	155	9	200	160	133	18	20	8	M16	38.5
80	>0.6~0.9	348	155	9	200	160	133	18	20	8	M16	39.3