

Jinbo Marine

Marine & Offshore Equipment Datasheet

PRODUCT DATASHEET

JIS MARINE GLOBE VALVE

Marine Cast Steel Angle Valve JIS F7312 5K

ISO9001 Supplier

Class Certificate

Export Supply

Marine Cast Steel Angle Valve is suitable for the pipe system with the medium fresh water, air & other gas, oil and steam with the temperature not over 300 centigrade degree. Design Standard: JIS F7312-1996 ...



Key Highlights

Category	JIS Marine Globe Valve
Standard	JIS
Material	Cast Steel
Weight / Size	Body- 1.05Mpa, Seat-0.77Mpa Flange size as per JIS B2220 - 5K Main Mater...
Certificate	CCS, BV, ABS, GL, LR, DNV, NK,RINA, KR,IRS

We can supply according to your requirement, drawings, class certificate needs, and delivery schedule.

Technical Specifications

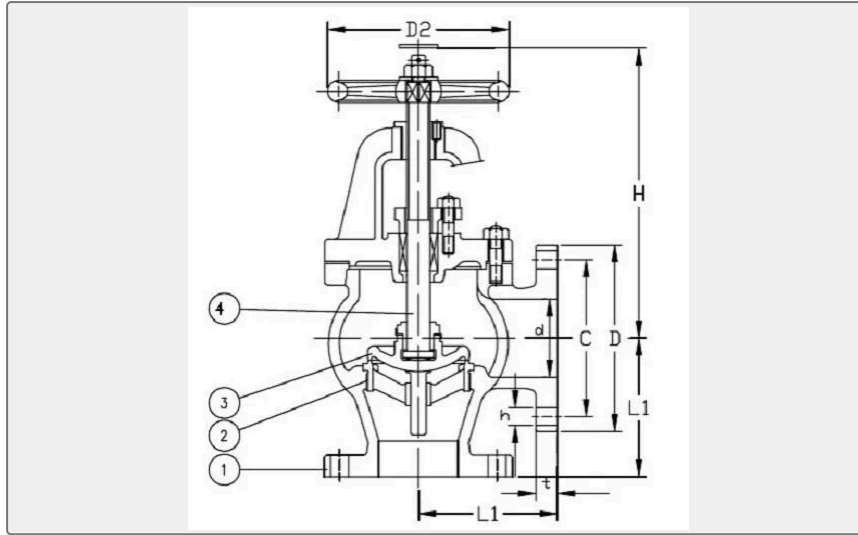
Category	JIS Marine Globe Valve	Model / SKU	Marine-Cast-Steel-Angle-Valve-JIS-F7312-5K
Standard	JIS	Material	Cast Steel
Weight / Size	Body- 1.05Mpa, Seat-0.77Mpa Flange size as per JIS B2220 - 5K Main Material:	Certificate	CCS, BV, ABS, GL, LR, DNV, NK,RINA, KR,IRS
Warranty	12 Months unless specified otherwise	Origin	China

CONTENTS

- China Marine Cast Steel Angle Valve JIS F7312 5K:
- Main Material:
- Main Size List(mm):



China Marine Cast Steel Angle Valve JIS F7312 5K:



Marine Cast Steel Angle Valve is suitable for the pipe system with the medium fresh water, air & other gas, oil and steam with the temperature not over 300 centigrade degree.

Design Standard: JIS F7312-1996

Test Standard: JIS 7400-1996

Hydraulic Test Pressure: Body- 1.05Mpa, Seat-0.77Mpa

Flange size as per JIS B2220 - 5K

Main Material:

Body: Cast Steel (SC480)

Bonnet: Cast Steel (SC480)

Packing Gland: Bronze (BC6) or Stainless Steel (2Cr13)

Stem: C3771BD (Brass) or SUS403

Seat: Bronze (BC6) or Stainless Steel (2Cr13, SCS2)

Disc: Bronze (BC6) or Stainless Steel (2Cr13, SCS2)

Gasket: non-asbestos

Main Size List(mm):

Size	L1	Flange diam. (D)	Pitch (C)	No of Bolt Hole	h	t	D2	H	Weight
50	100	130	105	4	15	16	160	240	12.9
65	115	155	130	4	15	18	180	255	18.2
80	130	180	145	4	19	18	180	265	23.4
100	150	200	165	8	19	20	224	310	33.7
125	170	235	200	8	19	20	250	330	46.2
150	190	265	230	8	19	22	280	330	33.7



200	220	320	280	8	23	24	315	450	105
250	275	385	345	12	23	26	355	540	176
300	310	430	390	12	23	28	400	610	243