

JIS MARINE ANGLE VALVE

Marine Cast Steel Angle Valve JIS F7320 10K

ISO9001 Supplier

Class Certificate

Export Supply

Marine Cast Steel Angle Valve is suitable for the pipe system with the medium fresh water, air & other gas, oil and steam with the temperature not over 300 centigrade degree. Design Standard: JIS F7320-1996 ...

**Key Highlights**

Category	JIS Marine Angle Valve
Standard	JIS
Material	Cast Steel
Weight / Size	JIS 7400-1996 Hydraulic Test Pressure:Body- 2.1Mpa, Seat-1.54Mpa Flange ...
Certificate	CCS, BV, ABS, GL, LR, DNV, NK,RINA, KR,IRS

We can supply according to your requirement, drawings, class certificate needs, and delivery schedule.

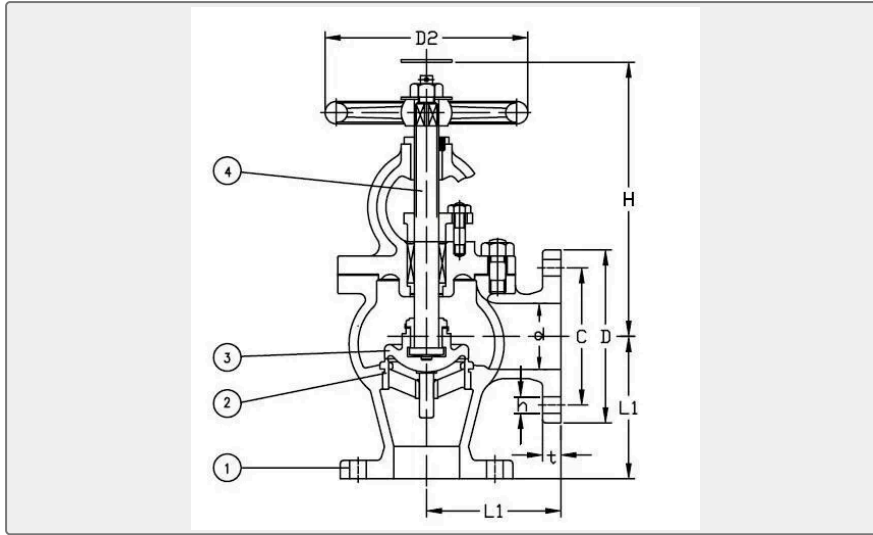
Technical Specifications

Category	JIS Marine Angle Valve	Model / SKU	Marine-Cast-Steel-Angle-Valve-JIS-F7320-10K
Standard	JIS	Material	Cast Steel
Weight / Size	JIS 7400-1996 Hydraulic Test Pressure:Body- 2.1Mpa, Seat-1.54Mpa Flange size as per JIS B2220 -10K Main Material:	Certificate	CCS, BV, ABS, GL, LR, DNV, NK,RINA, KR,IRS
Warranty	12 Months unless specified otherwise	Origin	China

CONTENTS

- China Marine Cast Steel Angle Valve JIS F7320 10K:
- Main Material:
- Main Size List(mm):

China Marine Cast Steel Angle Valve JIS F7320 10K:



Marine Cast Steel Angle Valve is suitable for the pipe system with the medium fresh water, air & other gas, oil and steam with the temperature not over 300 centigrade degree.

Design Standard: JIS F7320-1996

Test Standard: JIS 7400-1996

Hydraulic Test Pressure: Body- 2.1Mpa, Seat-1.54Mpa

Flange size as per JIS B2220 -10K

Main Material:

Body: Cast Steel (SC480)

Bonnet: Cast Steel (SC480)

Packing Gland: Bronze (BC6) or Stainless Steel (2Cr13)

Stem: C3771BD (Brass) or SUS403

Seat: Bronze (BC6) or Stainless Steel (2Cr13, SCS2)

Disc: Bronze (BC6) or Stainless Steel (2Cr13, SCS2)

Gasket: non-asbestos

Main Size List(mm):

IMPA CODE	DN	L1	D	C	No of bolt hole	h	t	H	D2	Weight(kgs)
750421	50	120	155	120	4	19	16	240	160	16.3
750422	65	130	175	140	4	19	18	260	200	23
750423	80	140	185	150	8	19	18	265	200	25.3
750424	100	160	210	175	8	19	18	300	250	37
750425	125	180	250	210	8	23	20	350	280	57.1
750426	150	205	280	240	8	23	22	400	315	



750427	200	230	330	290	12	23	22	480	355	116
750428	250	290	400	355	12	25	24	535	400	188
750429	300	320	445	400	16	25	24	610	450	256