

Jinbo Marine

Marine & Offshore Equipment Datasheet

PRODUCT DATASHEET

GB MARINE CHECK VALVE

Marine Cast Steel Flanged Anlge Check Valve GB/T586-1999 Type B/BS

ISO9001 Supplier

Class Certificate

Export Supply

Marine Cast Steel Flanged Angle Check Valve GB/T586-93 Type B/BS is the angle lift check valve used on the angle marine pipe system to prevent the backflow of medium. Technical Specification: Design and Manuf...



B/BS

Key Highlights

Category	GB Marine Check Valve
Standard	GB
Material	Cast Steel
Weight / Size	GB600 Flange size as per GB569, GB2501 Hydraulic Test Pressure:
Certificate	CCS, BV, ABS, GL, LR, DNV, NK,RINA, KR,IRS

We can supply according to your requirement, drawings, class certificate needs, and delivery schedule.

Technical Specifications

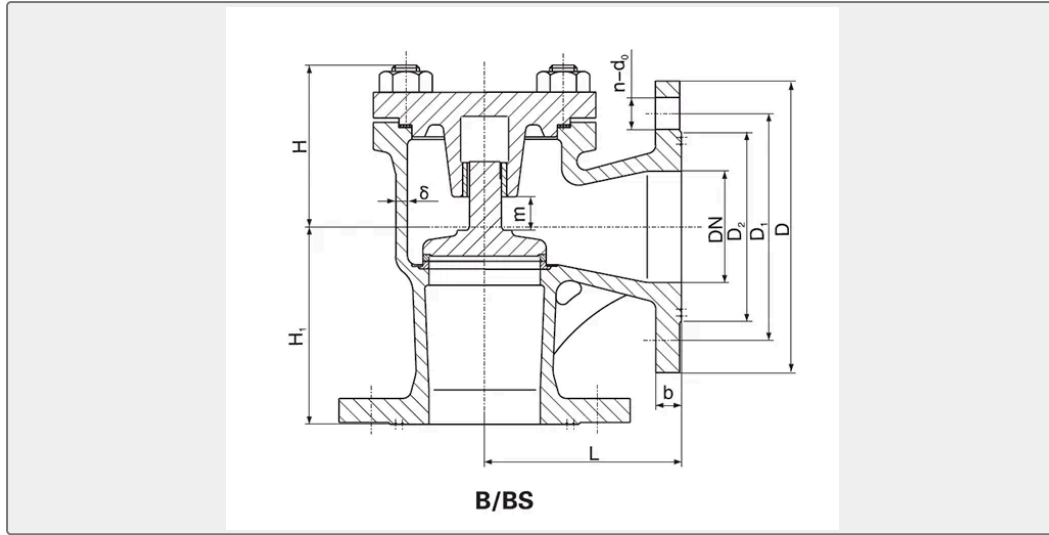
Category	GB Marine Check Valve	Model / SKU	Marine-Cast-Steel-Flanged-Anlge-Check-Valve-GB-T586-1999-Type-B-BS
Standard	GB	Material	Cast Steel
Weight / Size	GB600 Flange size as per GB569, GB2501 Hydraulic Test Pressure:	Certificate	CCS, BV, ABS, GL, LR, DNV, NK,RINA, KR,IRS
Warranty	12 Months unless specified otherwise	Origin	China

CONTENTS

- China Marine Cast Steel Flanged Anlge Check Valve GB/T586-1999 Type B/BS:
- Main Material:
- Technical Specification:
- Main Size List(mm):



China Marine Cast Steel Flanged Anlge Check Valve GB/T586-1999 Type B/BS:



Marine Cast Steel Flanged Angle Check Valve GB/T586-93 Type B/BS is the angle lift check valve used on the angle marine pipe system to prevent the backflow of medium.

Technical Specification:

Design and Manufacturing Standard: GB/T586-1999, CBM1050-81, CBM1053-81

Test Standard: GB600

Flange size as per GB569, GB2501

Hydraulic Test Pressure: 1.5 times of nominal pressure for body. 1.1 times of nominal pressure for seat.

Nominal Pressure(Mpa)	Nominal Diameter(mm)	Applicalbel Medium
1.0	65~125	fresh water, lubrication oil, fuel oil, steam not over 300°C
1.6	20~125	
2.5	20~100	

Main Material:

Body-Cast Steel

Bonnet-Cast Steel

Disc Seal Ring-Welded Stainless Steel

Body Sea Ring-Welded Stainless Steel

Main Size List(mm):

Type A/B (Flange Size as per GB569):

PN (MPa)	DN(m m)	Structure Dimension					Thickness δ	Flange					Bolt		Lift Range m	Weight(kg)	
		L		H≈		H1		D	D1	D2	d 0	b	n	Th.		A	B
		A	B	A	B	B											



1.0	65	29 0	1 15	12 4	91	11 5	6	15 5	12 3	10 4	1 5	1 4	6	M1 4	18	12. 5	10. 6
	80	31 0	125	15 1	11 0	12 5	7	17 0	13 8	11 8	1 5	1 4	8	M1 4	24	15. 6	14. 4
	100	35 0	150	16 5	11 6	13 5	8	19 0	15 8	13 8	1 5	1 4	8	M1 4	35	24. 5	19. 9
	125	40 0	175	18 4	12 4	15 5	8	21 5	18 3	16 4	1 5	1 4	1 0	M1 4	44	31. 9	27. 5
1.6	20	15 0	75	84	70	75	6	95	68	48	1 3	1 1	4	M1 2	7	3.3	3.2
	25	16 0	80	84	70	80	6	10 5	73	56	1 3	1 2	4	M1 2	7	3.9	3.8
	32	18 0	85	90	70	85	6	11 5	83	64	1 5	1 3	6	M1 4	9	5.8	5.1
	40	20 0	90	99	75	90	7	12 5	93	74	1 5	1 3	6	M1 4	11	7.1	6.3
	50	23 0	95	11 0	81	95	7	13 5	10 3	84	1 5	1 3	6	M1 4	14	8.8	8.5
	65	29 0	1 15	12 8	94	11 5	7	17 0	13 2	11 0	1 7	1 5	8	M1 6	18	13. 5	11. 5
	80	31 0	125	15 6	11 5	12 5	7	18 5	14 7	12 6	1 7	1 6	8	M1 6	24	18. 0	16. 9
	100	35 0	150	15 8	11 9	13 5	8	20 5	16 7	14 6	1 7	1 5	1 0	M1 6	35	26. 3	22. 7

Type AS, BS (Flange Size as per GB2501):

PN (MPa)	DN(m m)	Structure Dimension					Thickness δ	Flange					Flange		Lift Range m	Weight(kg)	
		L		H \approx		H1		D	D1	D2	d 0	b	n	Th.		AS	BS
		AS	BS	AS	BS	BS											
1.6	100	35 0	17 5	15 8	11 9	17 5	8	22 0	180	15 8	1 8	2 2	8	M1 6	28	30. 4	28. 1
	125	40 0	20 0	18 4	12 4	20 0	8	25 0	210	18 4	1 8	2 2	8	M1 6	35	39. 6	35. 2

2.5	20	15 0	95	84	70	95	6	10 5	75	58	1 4	1 6	4	M1 2	7	4.2	4.2
	25	16 0	10 0	84	70	10 0	6	11 5	85	68	1 4	1 6	4	M1 2	7	4.9	5.0
	32	18 0	10 5	90	70	10 5	6	14 0	100	78	1 8	1 8	4	M1 6	9	8.4	7.9
	40	20 0	11 5	99	75	11 5	7	15 0	1 10	88	1 8	1 8	4	M1 6	12	8.9	8.8
	50	23 0	12 5	11 0	81	12 5	7	16 5	125	10 2	1 8	2 0	4	M1 6	15	10. 4	10 1
	65	29 0	14 5	12 8	94	14 5	7	18 5	145	12 2	1 8	2 2	8	M1 6	19	16. 6	15. 3
	80	31 0	15 5	15 6	11 5	15 5	7	20 0	160	13 3	1 8	2 4	8	M1 6	23	22. 1	20. 0
	100	35 0	17 5	15 8	11 9	17 5	8	23 5	190	15 8	2 2	2 4	8	M2 0	28	31. 5	29. 2