

JIS MARINE GATE VALVE

Marine Cast Steel Gate Valve JIS F7366 10K

ISO9001 Supplier

Class Certificate

Export Supply

Marine Cast Steel Gate Valve is used to control the medium to open and close in the fuel oil, lubrication oil, steam, water pipe system with the temperature not over 300 degree centigrade. Design Standard: JIS F736...



Key Highlights

Category	JIS Marine Gate Valve
Standard	JIS
Material	Cast Steel
Weight / Size	Body- 2.1Mpa, Seat-1.54Mpa Flange size as per JIS B2220 - 10K Main Mater...
Certificate	CCS,BV, NK,DNV,GL, LR, ABS, RINA

We can supply according to your requirement, drawings, class certificate needs, and delivery schedule.

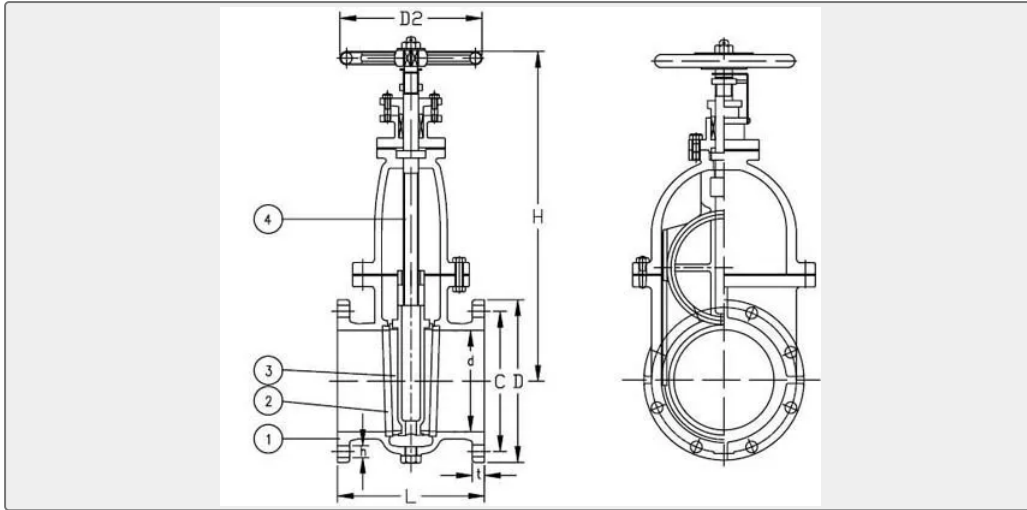
Technical Specifications

Category	JIS Marine Gate Valve	Model / SKU	Marine-Cast-Steel-Gate-Valve-JIS-F7366-10K
Standard	JIS	Material	Cast Steel
Weight / Size	Body- 2.1Mpa, Seat-1.54Mpa Flange size as per JIS B2220 - 10K Main Material:	Certificate	CCS,BV, NK,DNV,GL, LR, ABS, RINA
Warranty	12 Months unless specified otherwise	Origin	China

CONTENTS

- China Marine Cast Steel Gate Valve JIS F7366 10K:
- Main Material:
- Main Size List(mm):

China Marine Cast Steel Gate Valve JIS F7366 10K:



Marine Cast Steel Gate Valve is used to control the medium to open and close in the fuel oil, lubrication oil, steam, water pipe system with the temperature not over 300 degree centigrade.

Design Standard: JIS F7366-1996

Test Standard: JIS 7400-1996

Hydraulic Test Pressure: Body- 2.1Mpa, Seat-1.54Mpa

Flange size as per JIS B2220 - 10K

Main Material:

Body: Cast Steel(SC450)

Bonnet: Cast Steel(SC450)

Seat: Bronze (BC6) or Stainless steel (2Cr13)

Disc: Bronze (BC6) or Stainless steel (2Cr13)

Stem: Brass (C3771BD) or SUS403

Gasket: non-asbestos

Packing Gland: Bronze (BC6) or Stainless steel (2Cr13)

Handwheel: FC200 (Cast Iron)

Main Size List(mm):

Size	L	Flange diam. (D)	Pitch (C)	No of Bolt Hole	h	t	H	D2
50	200	155	120	4	19	16	300	140
65	220	175	140	4	19	18	350	160
80	230	185	150	8	19	18	400	180
100	250	210	175	8	19	18	450	200
125	270	250	210	8	23	20	520	224



150	290	280	240	8	23	22	580	280
200	310	330	290	12	23	22	700	355
250	340	400	355	12	25	24	840	400
300	380	445	400	16	25	24	960	450
350	420	490	445	16	25	26	1050	500
400	480	560	510	16	27	28	1150	560