

Jinbo Marine

Marine & Offshore Equipment Datasheet

PRODUCT DATASHEET

GB MARINE GLOBE VALVE

Marine Cast Steel Globe Valve GB/T584-2008 Type A/AS

ISO9001 Supplier

Class Certificate

Export Supply

Design Standard:GB/T584-2008, CBM1048-81, CBM1051-81, CBM1057-81 Test
Standard: GB600 Flange size as per GB569,GB2501 *Marine Globe Valve also can be called
Marine Stop Valve. ...



Key Highlights

Category	GB Marine Globe Valve
Standard	GB
Material	Cast Steel
Weight / Size	GB600 Flange size as per GB569,GB2501 *Marine Globe Valve also can be ca...
Certificate	CCS, BV, ABS, GL, LR, DNV, NK,RINA, KR,IRS

We can supply according to your requirement, drawings, class certificate needs, and delivery schedule.

Technical Specifications

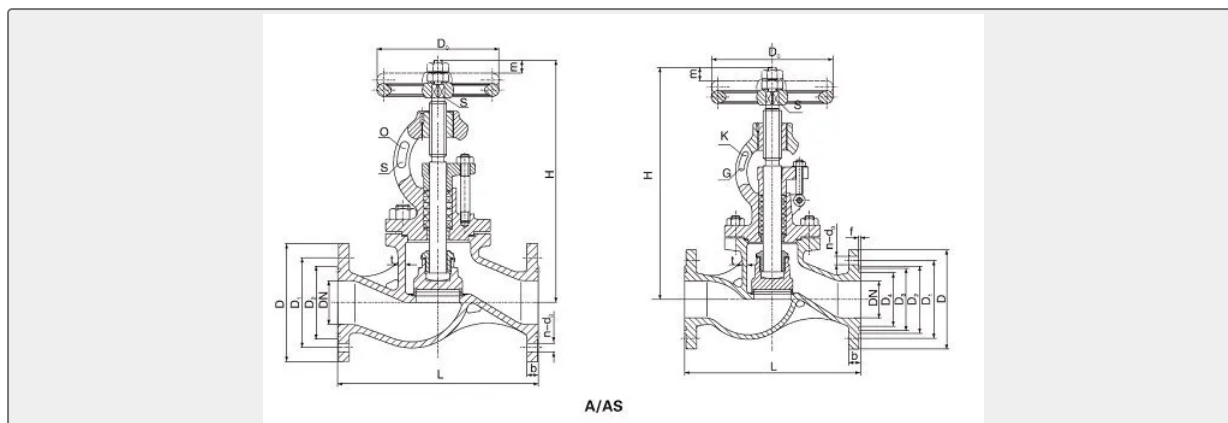
Category	GB Marine Globe Valve	Model / SKU	Marine-Cast-Steel-Globe-Valve-GB-T584-2008-Type-A-AS
Standard	GB	Material	Cast Steel
Weight / Size	GB600 Flange size as per GB569,GB2501 *Marine Globe Valve also can be called Marine Stop Valve.	Certificate	CCS, BV, ABS, GL, LR, DNV, NK,RINA, KR,IRS
Warranty	12 Months unless specified otherwise	Origin	China

CONTENTS

- China Marine Cast Steel Globe Valve GB/T584-2008 Type A/AS:
- Main Material:
- Main Size List(mm):


 0.043205s

China Marine Cast Steel Globe Valve GB/T584-2008 Type A/AS:



Design Standard:GB/T584-2008, CBM1048-81, CBM1051-81, CBM1057-81

Test Standard: GB600

Flange size as per GB569,GB2501

*Marine Globe Valve also can be called Marine Stop Valve.

Nominal Pressure(Mpa)	Nominal Diameter(mm)	Applicable Medium
1.0	65~300	fresh water, lubrication oil, fuel oil, steam not over 300°C
1.6	65~250	
2.5	20~150	
4.0	65~100	fresh water, lubrication oil, fuel oil, steam not over 400°C
6.4	20~50	

Main Material:

Body-Cast Steel

Bonnet-Cast Steel

Disc-Carbon Steel

Sealing Ring-Welded Stainless Steel

Stem-Stainless Steel

Main Size List(mm):