

# Jinbo Marine

Marine &amp; Offshore Equipment Datasheet

PRODUCT DATASHEET

## JIS MARINE GLOBE VALVE

# Marine Cast Steel Globe Valve JIS F7313 20K

ISO9001 Supplier

Class Certificate

Export Supply

Design Standard: JIS F7313-1996 Test Standard: JIS 7400-1996 Hydraulic Test Pressure:  
Body- 5.00Mpa, Seat-3.67Mpa Flange size as per JIS B2220 - 20K Main Material: Body: Cast  
Steel (S...



### Key Highlights

Category	JIS Marine Globe Valve
Standard	JIS
Material	Cast Steel
Weight / Size	Body- 5.00Mpa, Seat-3.67Mpa Flange size as per JIS B2220 - 20K Main Mate...
Certificate	CCS, BV, ABS, GL, LR, DNV, NK,RINA, KR,IRS

We can supply according to your requirement, drawings, class certificate needs, and delivery schedule.

### Technical Specifications

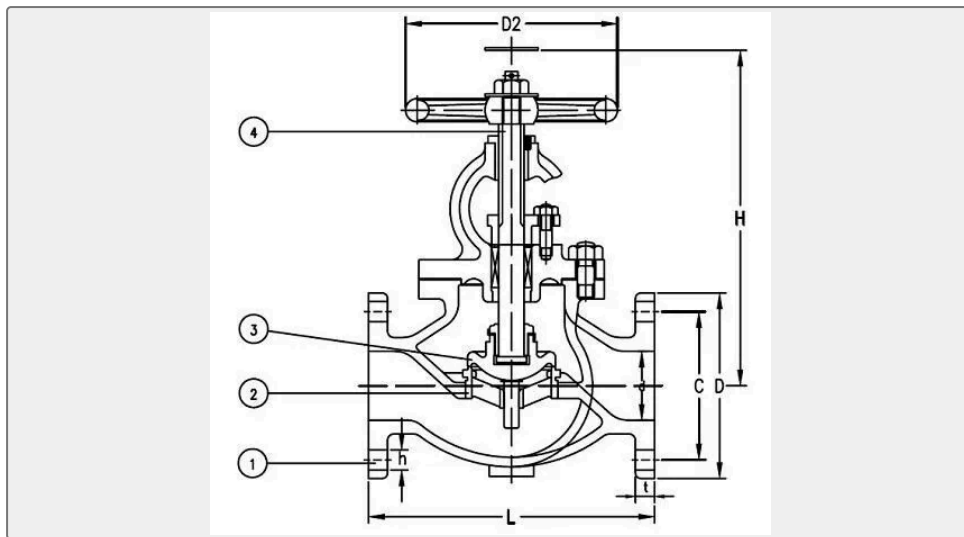
Category	JIS Marine Globe Valve	Model / SKU	Marine-Cast-Steel-Globe-Valve- JIS-F7313-20K
Standard	JIS	Material	Cast Steel
Weight / Size	Body- 5.00Mpa, Seat-3.67Mpa Flange size as per JIS B2220 - 20K Main Material:	Certificate	CCS, BV, ABS, GL, LR, DNV, NK,RINA, KR,IRS
Warranty	12 Months unless specified otherwise	Origin	China

#### CONTENTS

- China Marine Cast Steel Globe Valve JIS F7313 20K:
- Main Material:
- Main Size List(mm):



## China Marine Cast Steel Globe Valve JIS F7313 20K:



Design Standard: JIS F7313-1996

Test Standard: JIS 7400-1996

Hydraulic Test Pressure: Body- 5.00Mpa, Seat-3.67Mpa

Flange size as per JIS B2220 - 20K

### Main Material:

Body: Cast Steel (SC480)

Bonnet: Cast Steel (SC480)

Packing Gland: Bronze (BC6) or Stainless Steel (2Cr13)

Stem: C3771BD (Brass) or SUS403

Seat: Bronze (BC6) or Stainless Steel (2Cr13, SCS2)

Disc: Bronze (BC6) or Stainless Steel (2Cr13, SCS2)

Gasket: non-asbestos

### Main Size List(mm):

IMPA CODE	Size	L	D	C	No of Bolt Hole	h	t	H	D2	Weight(kgs)
750431	32	190	135	100	4	19	18	270	160	14.4
750432	40	200	140	105	4	19	18	190	160	16
750433	50	230	155	120	8	19	18	305	200	21.6
750434	65	270	175	140	8	19	20	345	224	30.4
750435	80	300	200	160	8	23	22	385	250	43.5
750436	100	350	225	182	8	23	24	440	280	62.3
750437	125	430	270	225	8	25	26	500	315	94.8

750438	150	500	305	260	12	25	28	550	355	132
750439	200	560	350	305	12	25	30	630	450	204
750440	250	660	430	380	12	27	34	725	560	336