

Jinbo Marine

Marine & Offshore Equipment Datasheet

PRODUCT DATASHEET

JIS MARINE GLOBE VALVE

Marine Cast Steel Globe Valve JIS F7319 10K

ISO9001 Supplier

Class Certificate

Export Supply

It is suitable for the pipe system with the medium fresh water, air & other gas, oil and steam with the temperature not over 300 centigrade degree. Design Standard: JIS F7319-1996 Test Standard: JIS 7400...



Key Highlights

Category	JIS Marine Globe Valve
Standard	JIS
Material	Cast Steel
Weight / Size	Body-2.1Mpa, Seat-1.54Mpa Flange size as per JIS B2220 -10K Main Materia...
Certificate	CCS,BV,GL,NK,RINA,ABS,DN V,LR

We can supply according to your requirement, drawings, class certificate needs, and delivery schedule.

Technical Specifications

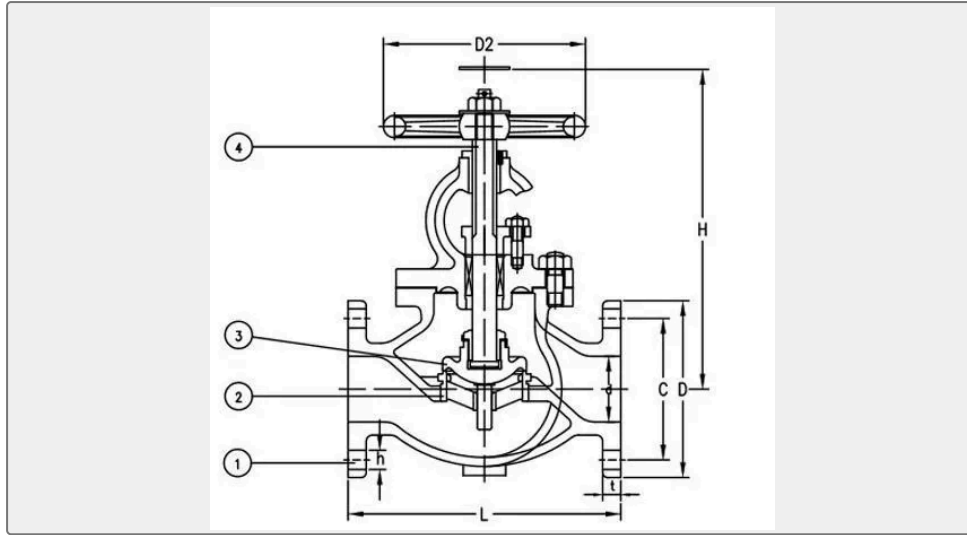
Category	JIS Marine Globe Valve	Model / SKU	Marine-Cast-Steel-Globe-Valve-JIS-F7319-10K
Standard	JIS	Material	Cast Steel
Weight / Size	Body-2.1Mpa, Seat-1.54Mpa Flange size as per JIS B2220 -10K Main Material:	Certificate	CCS,BV,GL,NK,RINA,ABS,DNV,L R
Warranty	12 Months unless specified otherwise	Origin	China

CONTENTS

- China Marine Cast Steel Globe Valve JIS F7319 10K:
- Main Material:
- Main Size List(mm):



China Marine Cast Steel Globe Valve JIS F7319 10K:



It is suitable for the pipe system with the medium fresh water, air & other gas, oil and steam with the temperature not over 300 centigrade degree.

Design Standard: JIS F7319-1996

Test Standard: JIS 7400-1996

Hydraulic Test Pressure: Body-2.1Mpa, Seat-1.54Mpa

Flange size as per JIS B2220 -10K

Main Material:

1-Body: Cast Steel (SC480)

2-Seat: Bronze (BC6) or Stainless Steel (2Cr13, SCS2)

3-Disc: Bronze (BC6) or Stainless Steel (2Cr13, SCS2)

4-Stem: C3771BD (Brass) or SUS403

5-Bonnet: Cast Steel (SC480)

6-Handwheel: Cast Iron (FC200)

7-Packing Gland: Bronze (BC6) or Stainless Steel (2Cr13)

8-Gasket: non-asbestos

Main Size List(mm):

IMPA CODE	Size	L	D	C	t	No of bolt hole	h	H	D2	Weight(kgs)
750411	50	220	155	120	16	4	19	270	160	17.9
750412	65	270	175	140	18	4	19	300	200	26
750413	80	300	185	150	18	8	19	310	200	29.8
750414	100	350	210	175	18	8	19	355	250	44.7



750415	125	420	250	210	20	8	23	415	280	70.3
750416	150	490	280	240	22	8	23	470	315	96.4
750417	200	570	330	290	22	12	23	565	355	159
750418	250	740	400	355	24	12	25	645	400	257
750419	300	840	445	400	24	16	25	735	450	370