

# Jinbo Marine

Marine &amp; Offshore Equipment Datasheet

PRODUCT DATASHEET

## GB MARINE CHECK VALVE

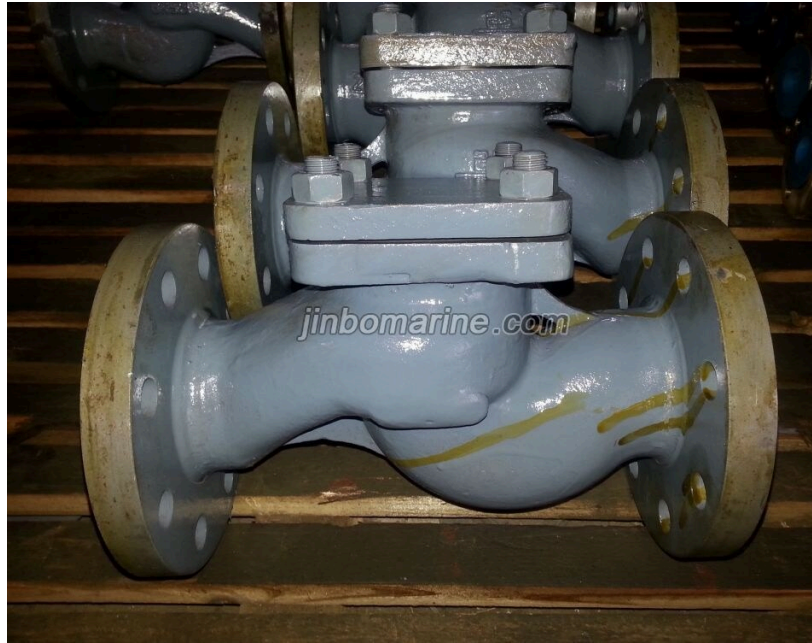
# Marine Cast Steel Lift Check Valve GB/T586-1999 Type A/AS

ISO9001 Supplier

Class Certificate

Export Supply

Marine Lift Check Valve also can be called marine non-return valve. Design Standard: GB/T586-93, CBM1050-81, CBM1053-81 Test Standard: GB600 Flange size as per GB569,GB2501 N...



### Key Highlights

|               |   |
|---------------|---|
| Category      | GB Marine Check Valve   |
| Standard      | GB  |
| Material      | Cast Steel  |
| Weight / Size | GB600 Flange size as per GB569,GB2501 Nominal Pressure(Mpa) Nominal Diam... |
| Certificate   | CCS, BV, ABS, GL,LR,DNV, KR, IRS, RINA                                      |

We can supply according to your requirement, drawings, class certificate needs, and delivery schedule.

### Technical Specifications

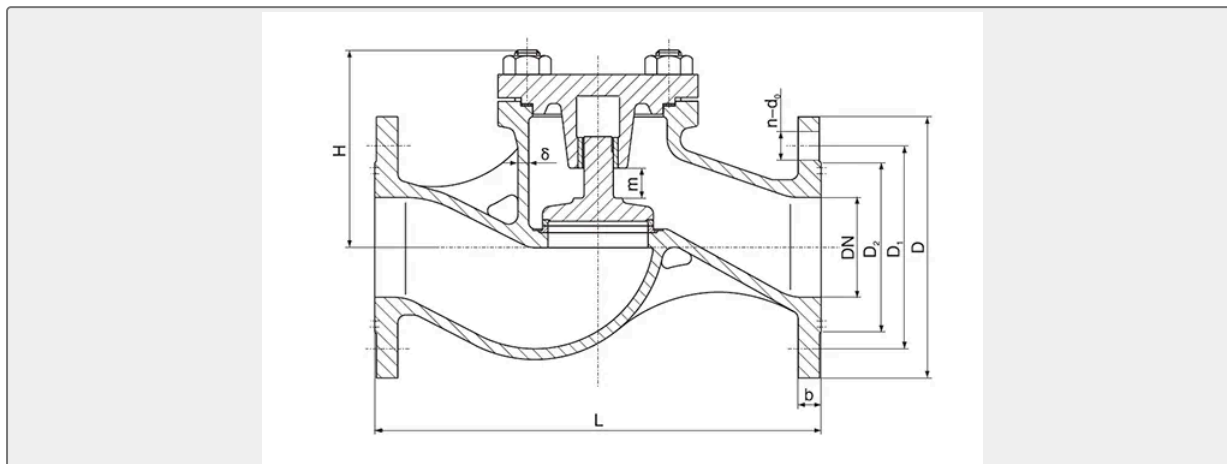
|               |   |             |   |
|---------------|---|-------------|---|
| Category      | GB Marine Check Valve   | Model / SKU | Marine-Cast-Steel-Lift-Check-Valve-GB-T586-1999-Type-A-AS |
| Standard      | GB  | Material    | Cast Steel  |
| Weight / Size | GB600 Flange size as per GB569,GB2501 Nominal Pressure(Mpa) Nominal Diameter(mm) Applicable Medium<br>1.0 65~125 fresh water, lubrication oil, fuel oil, steam not over 300°C<br>1.6 20~125 2.5 20~100 Main Material: | Certificate | CCS, BV, ABS, GL,LR,DNV, KR, IRS, RINA                    |
| Warranty      | 12 Months unless specified otherwise  | Origin      | China   |

 0.049274s

**CONTENTS**

- China Marine Cast Steel Lift Check Valve GB/T586-1999 Type A/AS:
- Main Material:
- Main Size List(mm):

**China Marine Cast Steel Lift Check Valve GB/T586-1999 Type A/AS:**



Marine Lift Check Valve also can be called marine non-return valve.

Design Standard: GB/T586-93, CBM1050-81, CBM1053-81

Test Standard: GB600

Flange size as per GB569,GB2501

|                       |                      |  |
|-----------------------|----------------------|--|
| Nominal Pressure(Mpa) | Nominal Diameter(mm) | Appicalbel Medium  |
| 1.0                   | 65~125               | fresh water, lubrication oil, fuel oil, steam not over 300°C |
| 1.6                   | 20~125               |  |
| 2.5                   | 20~100               |  |

**Main Material:**

Body-Cast Steel

Bonnet-Cast Steel

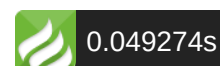
Disc Seal Ring-Welded Stainless Steel

Body Sea Ring-Welded Stainless Steel

**Main Size List(mm):**

Type A:

| PN (MPa) | DN(mm) | Structure Dimension |    | Thickness δ | Flange |    |    |    |   | Bolt |     | Lift Range m | Weight (kgs) |
|----------|--------|---------------------|----|-------------|--------|----|----|----|---|------|-----|--------------|--------------|
|          |        | L                   | H≈ |             | D      | D1 | D2 | d0 | b | n    | Th. |              |              |



|     |     |     |     |   |     |     |     |    |    |    |     |    |      |
|-----|-----|-----|-----|---|-----|-----|-----|----|----|----|-----|----|------|
| 1.0 | 65  | 290 | 124 | 6 | 155 | 123 | 104 | 15 | 14 | 6  | M14 | 18 | 12.5 |
|     | 80  | 310 | 151 | 7 | 170 | 138 | 118 | 15 | 14 | 8  | M14 | 24 | 15.6 |
|     | 100 | 350 | 165 | 8 | 190 | 158 | 138 | 15 | 14 | 8  | M14 | 35 | 24.5 |
|     | 125 | 400 | 184 | 8 | 215 | 183 | 164 | 15 | 14 | 10 | M14 | 44 | 31.9 |
| 1.6 | 20  | 150 | 84  | 6 | 95  | 68  | 48  | 13 | 11 | 4  | M12 | 7  | 3.3  |
|     | 25  | 160 | 84  | 6 | 105 | 73  | 56  | 13 | 12 | 4  | M12 | 7  | 3.9  |
|     | 32  | 180 | 90  | 6 | 115 | 83  | 64  | 15 | 13 | 6  | M14 | 9  | 5.8  |
|     | 40  | 200 | 99  | 7 | 125 | 93  | 74  | 15 | 13 | 6  | M14 | 11 | 7.1  |
|     | 50  | 230 | 110 | 7 | 135 | 103 | 84  | 15 | 13 | 6  | M14 | 14 | 8.8  |
|     | 65  | 290 | 128 | 7 | 170 | 132 | 110 | 17 | 15 | 8  | M16 | 18 | 13.5 |
|     | 80  | 310 | 156 | 7 | 185 | 147 | 126 | 17 | 16 | 8  | M16 | 24 | 18.0 |
|     | 100 | 350 | 158 | 8 | 205 | 167 | 146 | 17 | 15 | 10 | M16 | 35 | 26.3 |

## Type AS:

| PN (MPa) | DN(mm) | Structure Dimension |             | Thickness $\delta$ | Flange |     |     |    |    | Flange |     | Lift Range<br>m | Weight (kgs) |
|----------|--------|---------------------|-------------|--------------------|--------|-----|-----|----|----|--------|-----|-----------------|--------------|
|          |        | L                   | H $\approx$ |                    | D      | D1  | D2  | d0 | b  | n      | Th. |                 |              |
| 1.6      | 100    | 350                 | 158         | 8                  | 220    | 180 | 158 | 18 | 22 | 8      | M16 | 28              | 30.4         |
|          | 125    | 400                 | 184         | 8                  | 250    | 210 | 184 | 18 | 22 | 8      | M16 | 35              | 39.6         |
| 2.5      | 20     | 150                 | 84          | 6                  | 105    | 75  | 58  | 14 | 16 | 4      | M12 | 7               | 4.2          |
|          | 25     | 160                 | 84          | 6                  | 115    | 85  | 68  | 14 | 16 | 4      | M12 | 7               | 4.9          |
|          | 32     | 180                 | 90          | 6                  | 140    | 100 | 78  | 18 | 18 | 4      | M16 | 9               | 8.4          |
|          | 40     | 200                 | 99          | 7                  | 150    | 110 | 88  | 18 | 18 | 4      | M16 | 12              | 8.9          |
|          | 50     | 230                 | 110         | 7                  | 165    | 125 | 102 | 18 | 20 | 4      | M16 | 15              | 10.4         |
|          | 65     | 290                 | 128         | 7                  | 185    | 145 | 122 | 18 | 22 | 8      | M16 | 19              | 16.6         |
|          | 80     | 310                 | 156         | 7                  | 200    | 160 | 133 | 18 | 24 | 8      | M16 | 23              | 22.1         |
|          | 100    | 350                 | 158         | 8                  | 235    | 190 | 158 | 22 | 24 | 8      | M20 | 28              | 31.5         |