

# Jinbo Marine

Marine &amp; Offshore Equipment Datasheet

PRODUCT DATASHEET

## JIS MARINE QUICK CLOSING VALVE

# Marine Cast Steel Pneumatic Oil Tank Quick Closing Valve JIS F7399 5K

Marine Quick Closing Valve JIS F7399 is used to shuf off the fuel oil/lubrication oil tank in emergency. It can be controlled remotely with the air cylinder. Operation type: Pneumatic  
Design Standard: JIS F73...

ISO9001 Supplier

Class Certificate

Export Supply



### Key Highlights

Category	JIS Marine Quick Closing Valve
Standard	JIS
Material	Cast Steel, Nodular Iron
Weight / Size	JIS 7400-1996 Hydraulic Test Pressure:Body- 0.7Mpa, Seat-0.2Mpa,Seal for...
Certificate	CCS, BV, ABS, DNV/GL, LR, NK

We can supply according to your requirement, drawings, class certificate needs, and delivery schedule.

### Technical Specifications

Category	JIS Marine Quick Closing Valve	Model / SKU	Marine-Cast-Steel-Pneumatic-Oil-Tank-Quick-Closing-Valve-JIS-F7399-5K
Standard	JIS	Material	Cast Steel, Nodular Iron
Weight / Size	JIS 7400-1996 Hydraulic Test Pressure:Body- 0.7Mpa, Seat-0.2Mpa,Seal for quick closing-0.1Mpa Flange size as per JIS B2220 - 5K Main Material:	Certificate	CCS, BV, ABS, DNV/GL, LR, NK
Warranty	12 Months unless specified otherwise	Origin	China

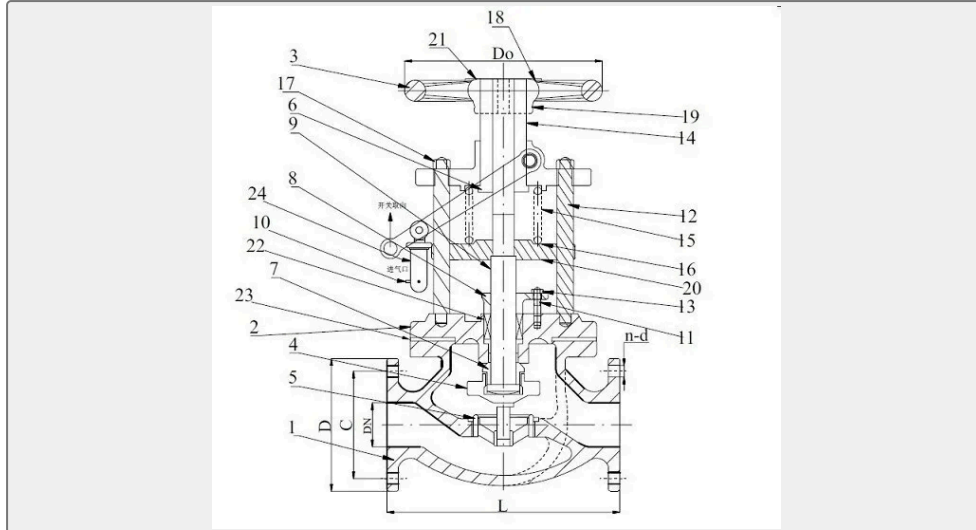
#### CONTENTS

- China Marine Cast Steel Pneumatic Oil Tank Quick Closing Valve JIS F7399 5K:
- Main Material:
- Main Size List(mm):



0.075554s

# China Marine Cast Steel Pneumatic Oil Tank Quick Closing Valve JIS F7399 5K:



Marine Quick Closing Valve JIS F7399 is used to shut off the fuel oil/lubrication oil tank in emergency. It can be controlled remotely with the air cylinder.

Operation type: Pneumatic

Design Standard: JIS F7399-1996

Test Standard: JIS 7400-1996

Hydraulic Test Pressure: Body- 0.7Mpa, Seat-0.2Mpa, Seal for quick closing-0.1Mpa

Flange size as per JIS B2220 - 5K

## Main Material:

Body: Cast Steel

Bonnet: Cast Steel

Seat: Brass

Disc: Brass

Stem: Brass

Air Cylinder: Brass

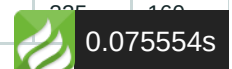
Operation Spindle: SUS403

Operation Lever: SUS403

Handwheel: FC200 (Cast iron)

## Main Size List(mm):

DN	L	D	C	No of bolt hole	bolt hole diameter	flange thickness	H	D2
40	160	120	95	4	15	12	310	140
50	210	130	105	4	15	14	325	160



65	250	155	130	4	15	14	395	180
80	280	180	145	4	19	18	420	180
100	340	200	165	8	19	18	510	224
125	410	235	200	8	19	20	440	250
150	480	265	230	8	19	22	520	320