

Jinbo Marine

Marine & Offshore Equipment Datasheet

PRODUCT DATASHEET

JIS MARINE QUICK CLOSING VALVE

Marine Cast Steel Pneumatic Quick Closing Valve JIS F7399 10K

ISO9001 Supplier

Class Certificate

Export Supply

Marine Emergency Shut-Off Valve is also called as Marine Quick Closing Valve. It is used to shut off the fuel oil pipeline in emergency. It can controlled by lever or the air cylinder.

Material can be cast steel, bronze...



Key Highlights

Category	JIS Marine Quick Closing Valve
Standard	JIS
Material	Cast Steel, Nodular Iron
Weight / Size	JIS 7400-1996 Hydraulic Test Pressure:Body- 0.7Mpa, Seat-0.2Mpa,Seal for...
Certificate	CCS, BV, ABS, GL, LR, DNV, NK,RINA, KR,IRS

We can supply according to your requirement, drawings, class certificate needs, and delivery schedule.

Technical Specifications

Category	JIS Marine Quick Closing Valve	Model / SKU	Marine-Cast-Steel-Pneumatic-Quick-Closing-Valve-JIS-F7399-10K
Standard	JIS	Material	Cast Steel, Nodular Iron
Weight / Size	JIS 7400-1996 Hydraulic Test Pressure:Body- 0.7Mpa, Seat-0.2Mpa,Seal for quick closing-0.1Mpa Flange size as per JIS B2220 - 10K Main Material:	Certificate	CCS, BV, ABS, GL, LR, DNV, NK,RINA, KR,IRS
Warranty	12 Months unless specified otherwise	Origin	China

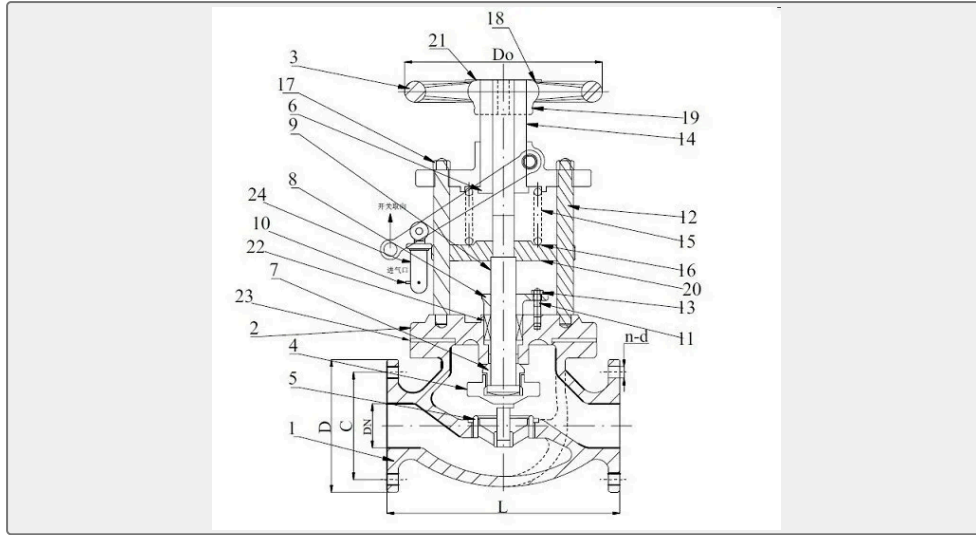
CONTENTS

- China Marine Cast Steel Pneumatic Quick Closing Valve JIS F7399 10K:
- Main Material:
- Main Size List(mm):



0.047403s

China Marine Cast Steel Pneumatic Quick Closing Valve JIS F7399 10K:



Marine Emergency Shut-Off Valve is also called as Marine Quick Closing Valve. It is used to shut off the fuel oil pipeline in emergency. It can controlled by lever or the air cylinder. Material can be cast steel, bronze, nodular iron. Operation type: Pneumatic

Design Standard: JIS F7399-1996

Test Standard: JIS 7400-1996

Hydraulic Test Pressure: Body- 0.7Mpa, Seat-0.2Mpa, Seal for quick closing-0.1Mpa

Flange size as per JIS B2220 - 10K

Main Material:

Body: Cast Steel

Bonnet: Cast Steel

Seat: Brass

Disc: Brass

Stem: Brass

Operation Spindle: SUS403

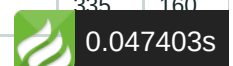
Air Cylinder : Brass

Operation Lever: SUS403

Handwheel: FC200 (Cast iron)

Main Size List(mm):

DN	L	L1	L2	D	C	No of bolt hole	bolt hole diameter	flange thickness	H	D2
40	170	85	80	140	105	4	19	16	310	140
50	220	125	90	155	120	4	19	16	335	160



65	270	155	100	175	140	4	18	18	395	180
80	300	165	120	185	150	8	19	18	420	180
100	350	200	130	210	175	8	20	18	510	224
125	420	250	160	250	210	8	19	20	440	250
150	490	300	180	280	240	8	19	22	520	320