

## JIS MARINE ANGLE VALVE

# Marine Cast Steel Screw Down Check Angle Valve JIS F7312C 5K

ISO9001 Supplier

Class Certificate

Export Supply

Marine Cast Steel Screw Down Check Angle Valve also can be called as Marine Cast Steel Angle SDNR Valve. It is suitable for the pipe system with the medium fresh water, air & other gas, oil and steam with the tempera...



## Key Highlights

Category	JIS Marine Angle Valve
Standard	JIS
Material	Cast Steel
Weight / Size	Body- 1.05Mpa, Seat-0.77Mpa Flange size as per JIS B2220 - 5K * The stan...
Certificate	CCS, BV, ABS, GL, LR, DNV, NK,RINA, KR,IRS

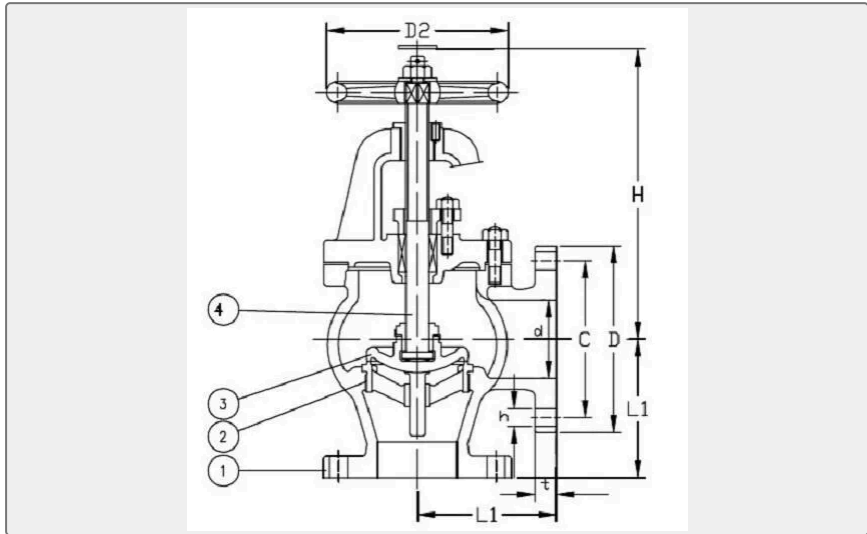
We can supply according to your requirement, drawings, class certificate needs, and delivery schedule.

## Technical Specifications

Category	JIS Marine Angle Valve	Model / SKU	Marine-Cast-Steel-Screw-Down-Check-Angle-Valve-JIS-F7312C-5K
Standard	JIS	Material	Cast Steel
Weight / Size	Body- 1.05Mpa, Seat-0.77Mpa Flange size as per JIS B2220 - 5K * The standard one is without indicator, if the customer needs the indicator for the SDNR Valve, pls state when inquiry or order.	Certificate	CCS, BV, ABS, GL, LR, DNV, NK,RINA, KR,IRS
Warranty	12 Months unless specified otherwise	Origin	China

<b>CONTENTS</b>	■ China Marine Cast Steel Screw Down Check Angle Valve JIS F7312C 5K:	■ Main Material:
	■ Main Size List(mm):	

## China Marine Cast Steel Screw Down Check Angle Valve JIS F7312C 5K:



**Marine Cast Steel Screw Down Check Angle Valve** also can be called as Marine Cast Steel Angle SDNR Valve. It is suitable for the pipe system with the medium fresh water, air & other gas, oil and steam with the temperature not over 300 centigrade degree.

Design Standard: JIS F7312C-1996

Test Standard: JIS 7400-1996

Hydraulic Test Pressure: Body- 1.05Mpa, Seat-0.77Mpa

Flange size as per JIS B2220 - 5K

\* The standard one is without indicator, if the customer needs the indicator for the SDNR Valve, pls state when inquiry or order.

### Main Material:

Body: Cast Steel (SC489)

Bonnet: Cast Steel (SC480)

Packing Gland: Bronze (BC6) or Stainless Steel(2Cr13)

Stem: C3771BD (Brass) or SUS403

Seat: Bronze (BC6) or Stainless Steel (2Cr13, SCS2)

Disc: Bronze (BC6) or Stainless Steel (2Cr13, SCS2)

Gasket: non-asbestos

### Main Size List(mm):

Size	L1	Flange diam. (D)	Pitch (C)	No of Bolt Hole	h	t	D2	H	Weight
									0.043226s



50	100	130	105	4	15	16	160	240	12.9
65	115	155	130	4	15	18	180	255	18.2
80	130	180	145	4	19	18	180	265	23.3
100	150	200	165	8	19	20	224	310	33.5
125	170	235	200	8	19	20	250	330	46.5
150	190	265	230	8	19	22	280	380	64
200	220	320	280	8	23	24	315	450	104
250	275	385	345	12	23	26	355	540	175
300	310	430	390	12	23	28	400	610	243