

JIS MARINE GLOBE VALVE

Marine Cast Steel Screw Down Check Globe Valve JIS F7311C 5K

ISO9001 Supplier

Class Certificate

Export Supply

Marine Cast Steel Screw Down Check Globe Valve also can be called as Marine Cast Steel SDNR Valve or SDNR Globe Valve. It is suitable for the pipe system with the medium fresh water, air & other gas, oil and steam wi...

**Key Highlights**

Category	JIS Marine Globe Valve
Standard	JIS
Material	Cast Steel
Weight / Size	Body- 1.05Mpa, Seat-0.77Mpa Flange size as per JIS B2220 - 5K * The stan...
Certificate	CCS, BV, ABS, GL, LR, DNV, NK,RINA, KR,IRS

We can supply according to your requirement, drawings, class certificate needs, and delivery schedule.

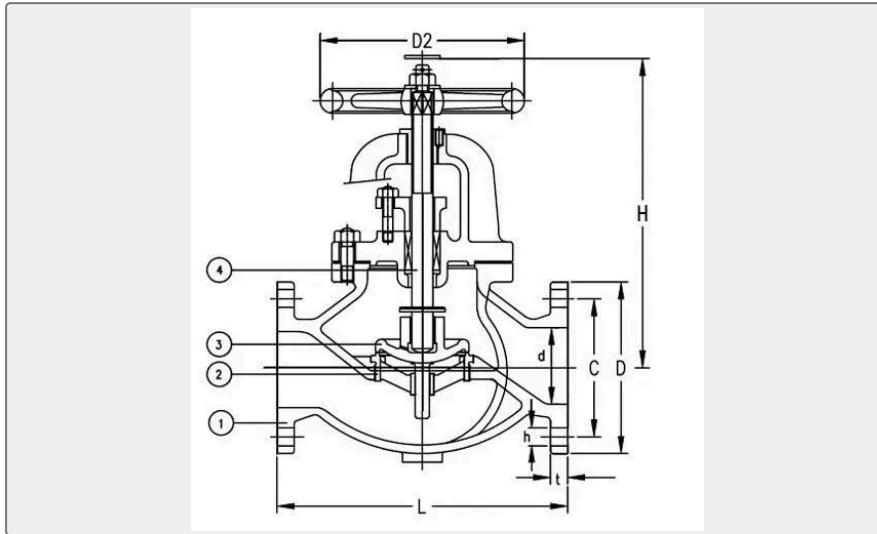
Technical Specifications

Category	JIS Marine Globe Valve	Model / SKU	Marine-Cast-Steel-Screw-Down-Check-Globe-Valve-JIS-F7311C-5K
Standard	JIS	Material	Cast Steel
Weight / Size	Body- 1.05Mpa, Seat-0.77Mpa Flange size as per JIS B2220 - 5K * The standard one is without indicator, if the customer needs the indicator for the SDNR Valve, pls state when inquiry or order.	Certificate	CCS, BV, ABS, GL, LR, DNV, NK,RINA, KR,IRS
Warranty	12 Months unless specified otherwise	Origin	China

CONTENTS

- China Marine Cast Steel Screw Down Check Globe Valve JIS F7311C 5K:
- Main Material:
- Main Size List(mm):

China Marine Cast Steel Screw Down Check Globe Valve JIS F7311C 5K:



Marine Cast Steel Screw Down Check Globe Valve also can be called as Marine Cast Steel SDNR Valve or SDNR Globe Valve. It is suitable for the pipe system with the medium fresh water, air & other gas, oil and steam with the temperature not over 300 centigrade degree.

Design Standard: JIS F7311C-1996

Test Standard: JIS 7400-1996

Hydraulic Test Pressure: Body- 1.05Mpa, Seat-0.77Mpa

Flange size as per JIS B2220 - 5K

* The standard one is without indicator, if the customer needs the indicator for the SDNR Valve, pls state when inquiry or order.

Main Material:

Body: Cast Steel (SC480)

Bonnet: Cast Steel (SC480)

Packing Gland: Bronze (BC6) or Stainless Steel (2Cr13)

Stem: C3771BD (Brass) or SUS403

Seat: Bronze (BC6) or Stainless Steel (2Cr13, SCS2)

Disc: Bronze (BC6) or Stainless Steel (2Cr13, SCS2)

Gasket: non-asbestos

Main Size List(mm):

Size	L	Flange diam. (D)	Pitch (C)	No of Bolt Hole	h	t	H	D2	Weight
50	210	130	105	4	15	16	270	150	0.046370s

65	250	155	130	4	15	18	300	180	21.3
80	280	180	145	4	19	18	310	180	27.6
100	340	200	165	8	19	20	360	224	40.4
125	410	235	200	8	19	20	390	250	57.9
150	480	265	230	8	19	22	445	280	80.9
200	570	320	280	8	23	24	530	315	139
250	740	385	345	12	23	26	650	355	243
300	840	430	390	12	23	28	740	400	320