

JIS MARINE GLOBE VALVE

Marine Cast Steel Screw Down Check Globe Valve JIS F7471 10K

Marine Cast Steel Screw Down Check Angle Valve also can be called as Marine Cast Steel Angle SDNR Valve or SDNR Angle Valve. It is suitable for the pipe system with the medium fresh water, air & other gas, oil and st...

ISO9001 Supplier

Class Certificate

Export Supply



Key Highlights

Category	JIS Marine Globe Valve
Standard	JIS
Material	Cast Steel
Weight / Size	Body-2.1Mpa, Seat-1.54Mpa Flange size as per JIS B2220 -10K Main Materia...
Certificate	CCS, BV, ABS, GL, LR, DNV, NK,RINA

We can supply according to your requirement, drawings, class certificate needs, and delivery schedule.

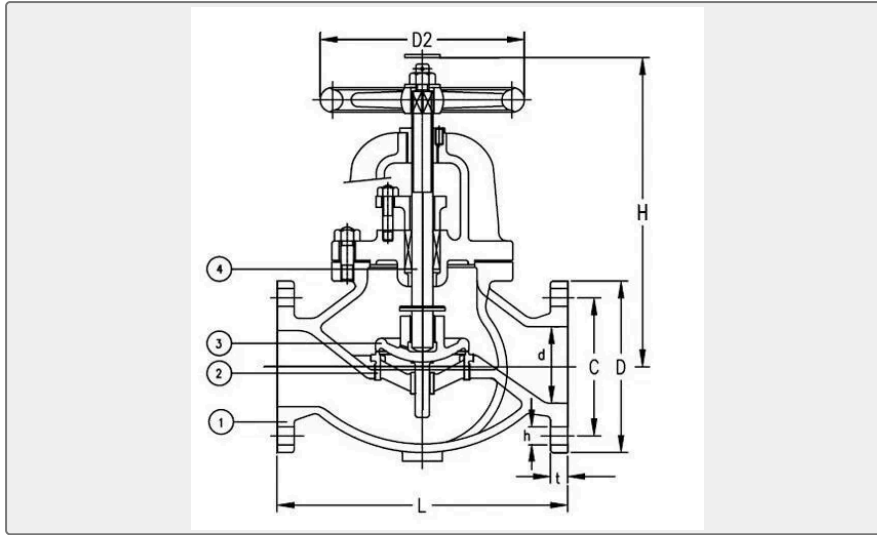
Technical Specifications

Category	JIS Marine Globe Valve	Model / SKU	Marine-Cast-Steel-Screw-Down-Check-Globe-Valve-JIS-F7471-10K
Standard	JIS	Material	Cast Steel
Weight / Size	Body-2.1Mpa, Seat-1.54Mpa Flange size as per JIS B2220 -10K Main Material:	Certificate	CCS, BV, ABS, GL, LR, DNV, NK,RINA
Warranty	12 Months unless specified otherwise	Origin	China

CONTENTS

- China Marine Cast Steel Screw Down Check Globe Valve JIS F7471 10K:
- Main Size List(mm):
- Main Material:

China Marine Cast Steel Screw Down Check Globe Valve JIS F7471 10K:



Marine Cast Steel Screw Down Check Angle Valve also can be called as Marine Cast Steel Angle SDNR Valve or SDNR Angle Valve. It is suitable for the pipe system with the medium fresh water, air & other gas, oil and steam with the temperature not over 300 centigrade degree.

Design Standard: JIS F7471-1996

Test Standard: JIS 7400-1996

Hydraulic Test Pressure: Body-2.1Mpa, Seat-1.54Mpa

Flange size as per JIS B2220 -10K

Main Material:

1-Body: Cast Steel (SC480)

2-Seat: Bronze (BC6) or Stainless Steel (2Cr13, SCS2)

3-Disc: Bronze (BC6) or Stainless Steel (2Cr13, SCS2)

4-Stem: C3771BD (Brass) or SUS403

5-Bonnet: Cast Steel (SC480)

6-Handwheel: Cast Iron (FC200)

7-Packing Gland: Bronze (BC6) or Stainless Steel (2Cr13)

8-Gasket: non-asbestos

Main Size List(mm):

IMPA CODE	Size	L	D	C	t	No of bolt hole	h	H	D2	Weight(kgs)
751201	50	220	155	120	16	4	19	270	160	17.9
751202	65	270	175	140	18	4	19	300	200	26
751203	80	300	185	150	18	8	19	310	200	29.8
751204	100	350	210	175	18	8	19	355	250	0.043578s

751205	125	420	250	210	20	8	23	415	280	70.3
751206	150	490	280	240	22	8	23	470	315	96.4
751207	200	570	330	290	22	12	23	565	355	159
751208	250	740	400	355	24	12	25	645	400	257
751209	300	840	445	400	24	16	25	735	450	370