

CB MARINE DRAIN VALVE

Marine Cast Steel Self-Closing Drain Valve CB/T601-92 Type F

ISO9001 Supplier

Class Certificate

Export Supply

Marine Self-closing Drain Valve is used on the pipe system with the medium sea water, fresh water, fuel oil, lubrication oil. Design Standard:CB/T601-92 Test Standard: GB600 Type U-one side is flange, a...

**Key Highlights**

Category	CB Marine Drain Valve
Standard	GB
Material	Bronze, Cast Steel
Weight / Size	Type Name Nominal pressure(Mpa) Nominal Diameter(mm) A flange size as pe...
Certificate	CCS, BV, ABS, GL,LR,DNV, KR, IRS, RINA

We can supply according to your requirement, drawings, class certificate needs, and delivery schedule.

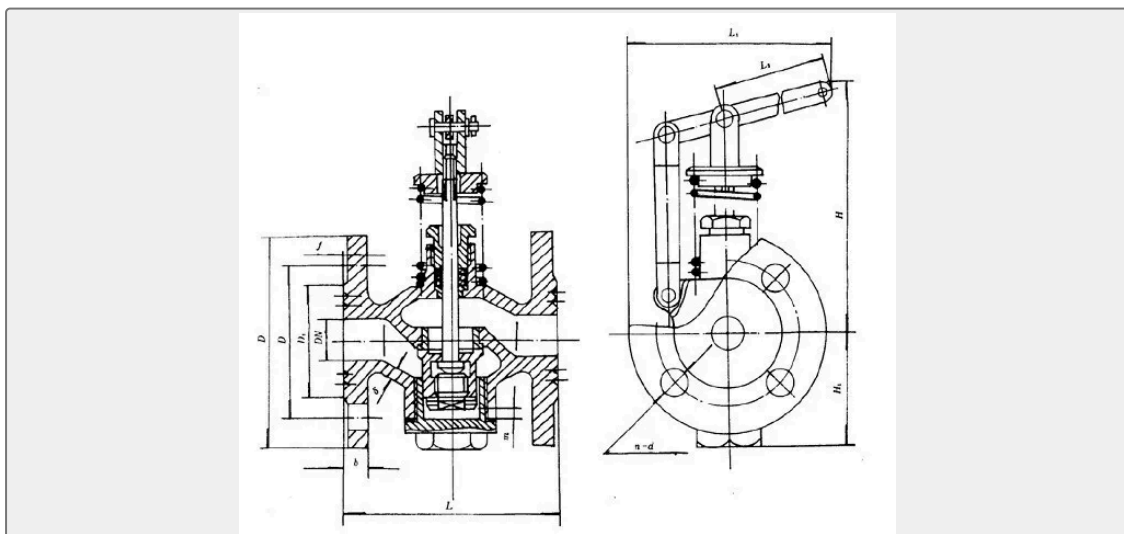
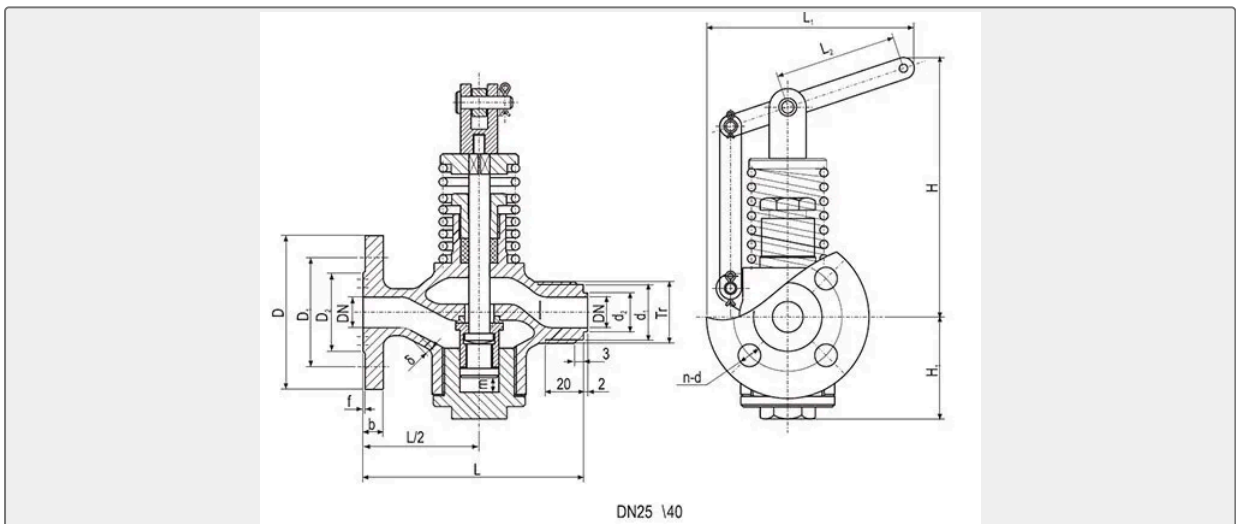
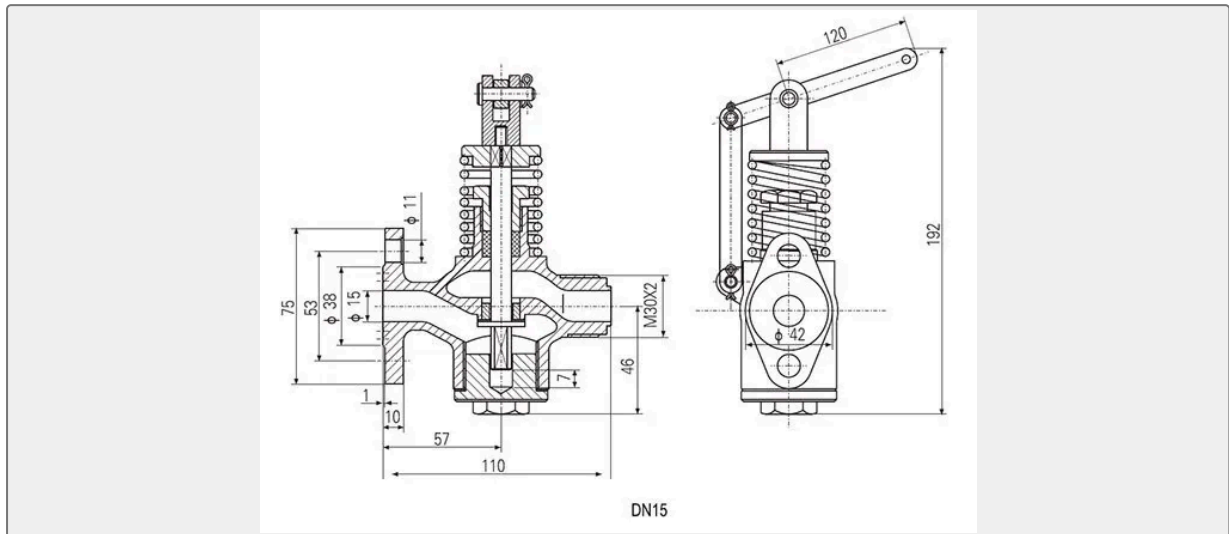
Technical Specifications

Category	CB Marine Drain Valve	Model / SKU	Marine-Cast-Steel-Self-Closing-Drain-Valve-CB-T601-92-Type-F
Standard	GB	Material	Bronze, Cast Steel
Weight / Size	Type Name Nominal pressure(Mpa) Nominal Diameter(mm) A flange size as per GB569 0.25 15,25,40 AS flange size as per GB2501 Main Parts & Material:	Certificate	CCS, BV, ABS, GL,LR,DNV, KR, IRS, RINA
Warranty	12 Months unless specified otherwise	Origin	China

CONTENTS

- China Marine Cast Steel Self-Closing Drain Valve CB/T601-92 Type F:
 - Main Size List(mm):
- Main Parts & Material:

China Marine Cast Steel Self-Closing Drain Valve CB/T601-92 Type F:



Marine Self-closing Drain Valve is used on the pipe system with the medium sea water, fresh water, fuel oil, lubrication oil.

Design Standard:CB/T601-92

Test Standard: GB600

Type U-one side is flange, another side is thread.

Type F-Both sides are flanges.

Type	Name	Nominal pressure(Mpa)	Nominal Diameter(mm)
A	flange size as per GB569	0.25	15,25,40
AS	flange size as per GB2501		

Main Parts & Material:

Body: Bronze for DN15, Cast Steel for DN25, DN40

Seat: Bronze

Disc: Bronze

Stem: Bronze

Spring: Carbon spring steel wire

Main Size List(mm):

For Type A: (DN15 size as per the drawing)

nominal diameter	Structure Dimension						Flange							screw end			Lift Range m	Weight (kg)
	L	L1	L2	H	H1	δ	D	D1	D2	b	f	n	d	Th.	d1	d2		
25	136	183	130	168	62	6	105	73	56	12	1	4	13	M42×2	39	29	10	3.1
40	170	203	140	195	80	7	125	93	74	13	1	6	15	—	—	—	13	6.9

For Type AS:

nominal diameter	Structure Dimension						Flange							screw end			Lift Range m	Weight (kg)
	L	L1	L2	H	H1	δ	D	D1	D2	b	f	n	d	Th.	d1	d2		
15	130	165	120	146	46	4	80	55	40	12	2	4	11	M30×2	27	19	7	1.75
25	160	183	130	168	62	6	100	75	60	14	2	4	11	M42×2	39	29	10	3.64
40	200	203	140	195	80	7	130	100	80	16	3	4	14	—	—	—	13	6.93