

Jinbo Marine

Marine & Offshore Equipment Datasheet

PRODUCT DATASHEET

JIS MARINE STORM VALVE

Marine Cast Steel Storm Valve JIS F3060 10K

ISO9001 Supplier

Class Certificate

Export Supply

Design Standard: JIS F3060-1996 Test Standard: JIS 7400-1996 Flange size as per JIS B2220 - 10K Main Material: 1-Body: Cast Steel (SC480) 2-Seat: Rubber(NBR) 3-Disc: Bronze (BC6) ...



Key Highlights

Category	JIS Marine Storm Valve
Standard	JIS
Material	Cast Steel
Weight / Size	JIS 7400-1996 Flange size as per JIS B2220 - 10K Main Material:
Certificate	CCS,BV,GL,NK,RINA,ABS,DN V,LR

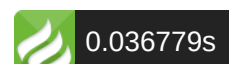
We can supply according to your requirement, drawings, class certificate needs, and delivery schedule.

Technical Specifications

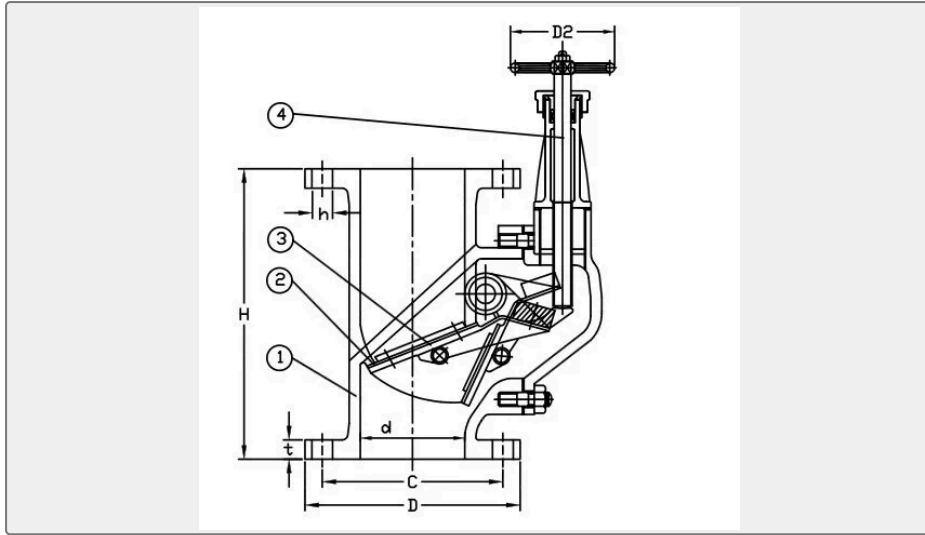
Category	JIS Marine Storm Valve	Model / SKU	Marine-Cast-Steel-Storm-Valve-JIS-F3060-10K
Standard	JIS	Material	Cast Steel
Weight / Size	JIS 7400-1996 Flange size as per JIS B2220 - 10K Main Material:	Certificate	CCS,BV,GL,NK,RINA,ABS,DNV,LR
Warranty	12 Months unless specified otherwise	Origin	China

CONTENTS

- China Marine Cast Steel Storm Valve JIS F3060 10K:
- Main Material:
- Main Size List(mm):



China Marine Cast Steel Storm Valve JIS F3060 10K:



Design Standard: JIS F3060-1996

Test Standard: JIS 7400-1996

Flange size as per JIS B2220 - 10K

Main Material:

1-Body: Cast Steel (SC480)

2-Seat: Rubber(NBR)

3-Disc: Bronze (BC6)

4-Stem: Stainless Steel (SUS403)

Main Size List(mm):

DN	L	D	C	No.	h	t	D2
50	210	155	120	4	19	20	100
65	240	175	140	4	19	22	100
80	260	185	150	8	19	22	125
100	280	210	175	8	19	24	125
125	330	250	210	8	19	24	125
150	360	280	240	8	23	26	125