

Jinbo Marine

Marine & Offshore Equipment Datasheet

PRODUCT DATASHEET

JIS MARINE STORM VALVE

Marine Cast Steel Storm Valve JIS F3060 5K

ISO9001 Supplier

Class Certificate

Export Supply

Design Standard: JIS F3060-1996 Test Standard: JIS 7400-1996 Flange size as per JIS B2220 - 5K Main Material: 1-Body: Cast Steel (SC480) 2-Seat: Rubber(NBR) 3-Disc: Bronze (BC6) ...



Key Highlights

Category	JIS Marine Storm Valve
Standard	JIS
Material	Cast Steel
Weight / Size	JIS 7400-1996 Flange size as per JIS B2220 - 5K Main Material:
Certificate	CCS,BV,GL,NK,RINA,ABS,DN V,LR

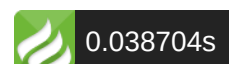
We can supply according to your requirement, drawings, class certificate needs, and delivery schedule.

Technical Specifications

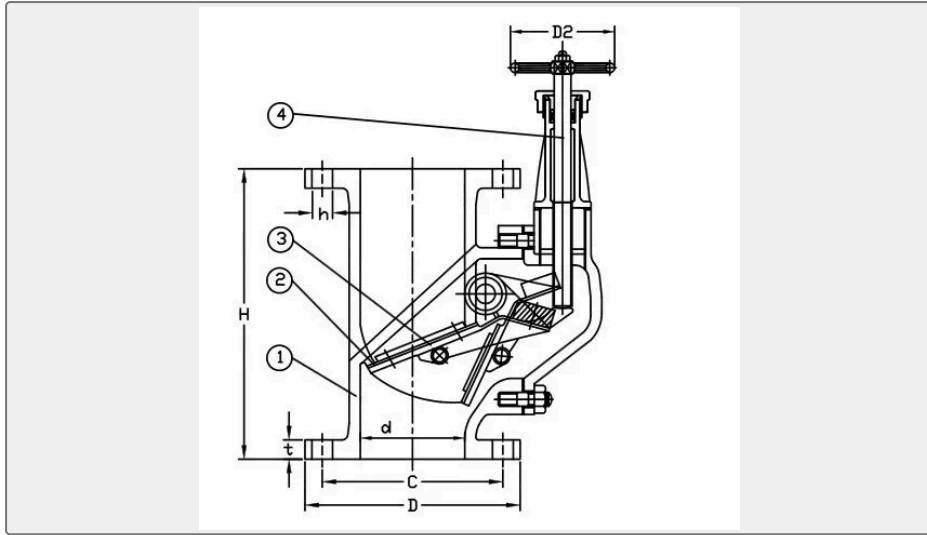
Category	JIS Marine Storm Valve	Model / SKU	Marine-Cast-Steel-Storm-Valve-JIS-F3060-5K
Standard	JIS	Material	Cast Steel
Weight / Size	JIS 7400-1996 Flange size as per JIS B2220 - 5K Main Material:	Certificate	CCS,BV,GL,NK,RINA,ABS,DNV,LR
Warranty	12 Months unless specified otherwise	Origin	China

CONTENTS

- China Marine Cast Steel Storm Valve JIS F3060 5K:
- Main Material:
- Main Size List(mm):



China Marine Cast Steel Storm Valve JIS F3060 5K:



Design Standard: JIS F3060-1996

Test Standard: JIS 7400-1996

Flange size as per JIS B2220 - 5K

Main Material:

1-Body: Cast Steel (SC480)

2-Seat: Rubber(NBR)

3-Disc: Bronze (BC6)

4-Stem: Stainless Steel (SUS403)

Main Size List(mm):

DN	H	D	C	No.	hole	t	D2
50	210	130	105	4	15	16	100
65	240	155	130	4	15	18	100
80	260	180	145	4	19	18	125
100	280	200	165	8	19	20	125
125	330	235	200	8	19	20	125
150	360	265	230	8	19	22	125
200	459	320	280	8	23	24	125