

## CB MARINE STORM VALVE

# Marine Cast Steel Vertical Storm Vavle without Handwheel

ISO9001 Supplier

Class Certificate

Export Supply

Marine Cast Steel Vertical Storm Valve is Type A/AS storm valve, used in the fresh water, sea water or sewage pipe system. Design Standard: CB/T3475-92 Flange Standard: GB569, GB2501, JIS 5K/10K Test an...



## Key Highlights

Category	CB Marine Storm Valve
Standard	JIS
Material	Cast Steel
Weight / Size	Body--Cast Steel Bonnet--Cast Steel Disc--Bronze Gland--Brass Main Size(...)
Certificate	CCS, BV, ABS, NK, DNV/GL, LR

We can supply according to your requirement, drawings, class certificate needs, and delivery schedule.

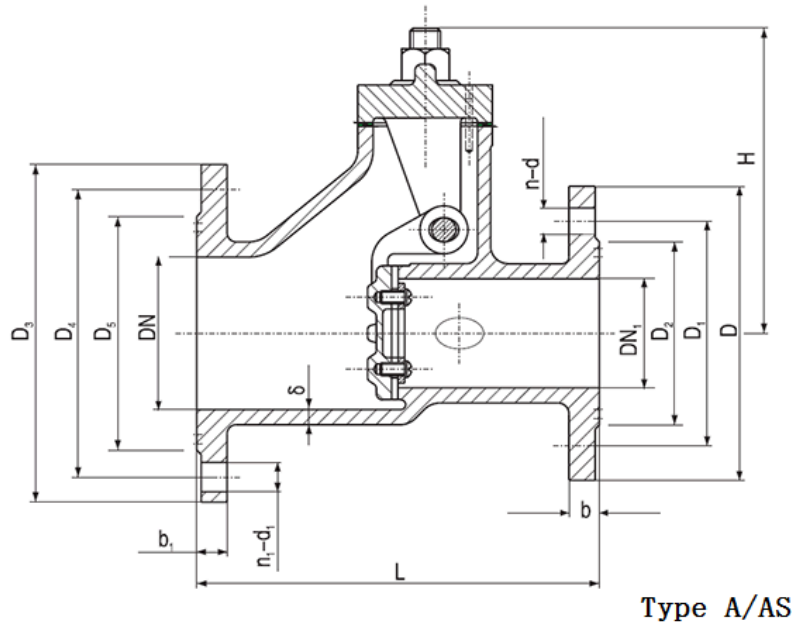
## Technical Specifications

Category	CB Marine Storm Valve	Model / SKU	Marine-Cast-Steel-Vertical-Storm-Vavle-without-Handwheel
Standard	JIS	Material	Cast Steel
Weight / Size	Body--Cast Steel Bonnet--Cast Steel Disc--Bronze Gland--Brass Main Size(mm):	Certificate	CCS, BV, ABS, NK, DNV/GL, LR
Warranty	12 Months unless specified otherwise	Origin	China

### CONTENTS

- China Marine Cast Steel Vertical Storm Vavle without Handwheel:
- Main Parts & Material:
- Technical Data:
- Main Size(mm):

# China Marine Cast Steel Vertical Storm Vavle without Handwheel:



Marine Cast Steel Vertical Storm Valve is Type A/AS storm valve, used in the fresh water, sea water or sewage pipe system.

Design Standard: CB/T3475-92

Flange Standard: GB569, GB2501, JIS 5K/10K

Test and Inpsection Standard: GB600

## Technical Data:

Type	Nominal Pressure (Mpa)	Nominal Diameter(mm)	Medium
A,AS	0.1	50~100	sea water, fresh water,sewage
B,BS	0.1	50~150	

## Main Parts & Material:

Body--Cast Steel

Bonnet--Cast Steel

Disc--Bronze

Gland--Brass

## Main Size(mm):

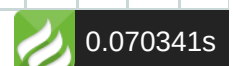
Type A/B:



no mi nal dia me ter	Ou tlet dia me ter	structure dimension				Thickne ss δ		connecting dimension of inlet flange					bolt		connecting dimension of outlet flange					bolt		Weight(kg)			
		L		H		ca st ste el	br on ze	D	D 1	D 2	b	d	n	T h.	D 3	D 4	D 5	b 1	d 1	n	T h.	cast steel		bronz e	
		A	B	A	B																	A	B	A	B
50	65	1 8 5	2 0 5	1 2 0	9 0	7. 5	5	1 3 5	1 0 3	8 4	1 4	1 5	6	M 1 4	1 5 5	1 2 3	1 0 4	1 4 5	6	M 1 4	8 9	8 9	8 9		
65	80	2 0 0	2 2 6	1 3 0	1 0	8	6	1 5 5	1 2 3	1 0 4	1 4	1 5	6	M 1 4	1 7 0	1 3 8	11 8	1 4	1 5	8	M 1 4	1 0 1	1 1 1	1 1 2	
80	100	2 2 6	2 6 0	1 5 0	1 2 0	8. 5	6	1 7 0	1 3 8	11 8	1 4	1 5	8	M 1 4	1 9 0	1 5 8	1 3 8	1 4 5	8	M 1 4	1 4 5	1 5 5	1 5 6		
100	125	2 5 0	3 0 0	1 7 5	1 4 0	9	6	1 9 0	1 5 8	1 3 8	1 4	1 5	8	M 1 4	2 1 5	1 8 3	1 6 4	1 4 5	1	M 1 4	2 3 4	2 4 4	2 4 3		
125	150	-	3 5 0	-	1 6 5	10	7	2 1 5	1 8 3	1 6 4	1 4	1 5	1	M 1 4	2 4 0	2 0 8	1 9 0	1 4 5	1	M 1 4	- 3 3	- 3 3	- 3 3		
150	175	-	3 7 0	-	1 7 0	11	7	2 4 0	2 0 8	1 9 0	1 4	1 5	1	M 1 4	2 7 0	2 3 8	2 2 1	1 5 5	1	M 1 4	- 3 5	- 3 8	- 3 8		

Type AS/BS:

no mi nal dia me ter	Ou tlet dia me ter	structure dimension				Thickne ss δ		connecting dimension of inlet flange					bolt		connecting dimension of outlet flange					bolt		Weight(kg)			
		L		H		ca st ste el	br on ze	D	D 1	D 2	b	d	n	T h.	D 3	D 4	D 5	b 1	d 1	n	T h.	cast steel		bronz e	
		A S	B S	A S	B S																	A S	B S	A S	B S
50	65	1 8 5	2 0 5	1 2 0	9 0	7. 5	5	1 4 0	11 0	9 0	1 6	1 4	4	M 1 2	1 6 0	1 3 0	11 0	1 6 4	1 4	4	M 1 2	8 9	8 9	8 9	
65	80	2 0 0	2 2 6	1 3 0	1 0	8	6	1 6 0	1 3 0	11 0	1 6	1 4	4	M 1 2	1 9 0	1 5 0	1 2 8	1 8 8	4	M 1 6	1 0 3	1 1 1	1 1 3		
80	100	2 2 6	2 6 0	1 5 0	1 2 0	8. 5	6	1 9 0	1 5 2	1 8 8	1 8	1 8	4	M 1 6	2 1 0	1 7 0	1 4 8	1 8 8	4	M 1 6	1 5 8	1 6 6	1 6 9		



10 0	12 5	2 5 0	3 0 0	1 7 5	1 4 0	9	6	2 1 0	1 7 0	1 4 8	1 8 8	1 8 8	4	M 1 6	2 4 0	2 0 0	1 7 8	2 0 8	1 8	8 M 1 6	2 5	2 7	2 6	2 8
12 5	15 0	-	3 5 0	-	1 6 5	10	7	2 4 0	2 0 0	1 7 8	2 0 8	1 8 8	8	M 1 6	2 6 5	2 5 5	2 0 2	2 0 0	1 8	8 M 1 6	-	4 1	-	4 1
15 0	17 5	-	3 7 0	-	1 7 0	11	7	2 6 5	2 2 5	2 0 2	2 0 8	1 8 8	8	M 1 6	2 9 5	2 5 5	2 3 2	2 2 8	1 8	8 M 1 6	-	5 0	-	5 1

The description/sizes may be different with goods, please check with us when order.