

GB MARINE BUTTERFLY VALVE

Marine Center Pivoted Manual Lug Butterfly Valve

- ISO9001 Supplier
- Class Certificate
- Export Supply

Marine Center Pivoted Hand Manual Lug Butterfly valve is operated by lever, used to adjust the flow rate, open and close the pipe system in the marine pipe system. Technical Specification: Des...



Key Highlights

Category	GB Marine Butterfly Valve
Standard	JIS
Material	Cast Iron, Cast Steel, Bronze
Weight / Size	Stainless Steel Main Size:
Certificate	CCS, BV, ABS, GL, LR, DNV, NK, RINA, KR, IRS

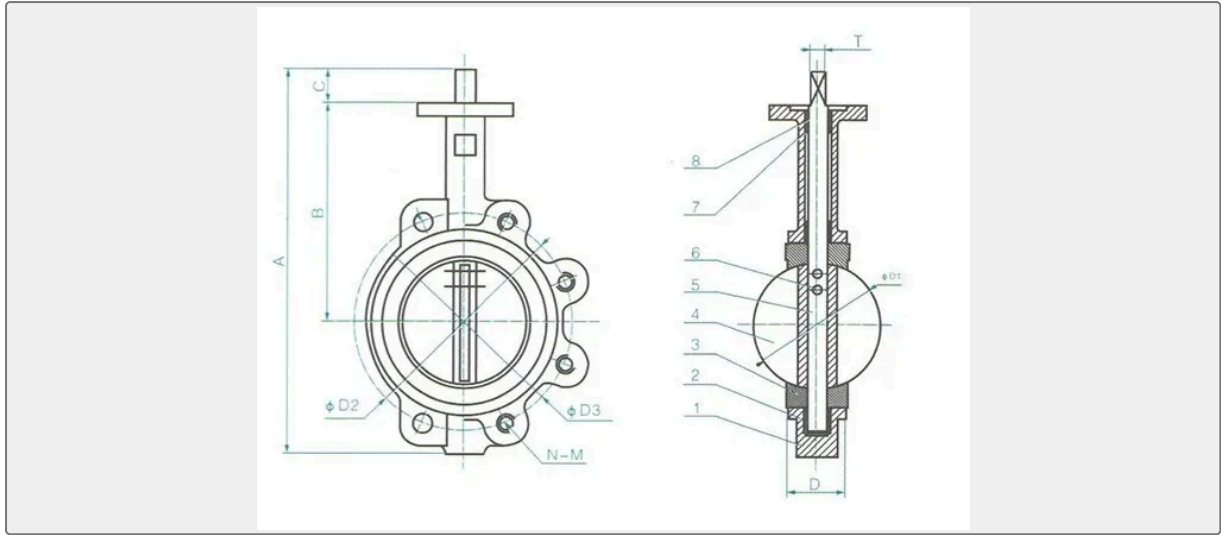
We can supply according to your requirement, drawings, class certificate needs, and delivery schedule.

Technical Specifications

Category	GB Marine Butterfly Valve	Model / SKU	Marine-Center-Pivoted-Manual-Lug-Butterfly-Valve
Standard	JIS	Material	Cast Iron, Cast Steel, Bronze
Weight / Size	Stainless Steel Main Size:	Certificate	CCS, BV, ABS, GL, LR, DNV, NK, RINA, KR, IRS
Warranty	12 Months unless specified otherwise	Origin	China

CONTENTS	■ China Marine Center Pivoted Manual Lug Butterfly Valve:	■ Technical Specification:
	■ Main Material:	■ Main Size:

China Marine Center Pivoted Manual Lug Butterfly Valve:



Marine Center Pivoted Hand Manual Lug Butterfly valve is operated by lever, used to adjust the flow rate, open and close the pipe system in the marine pipe system.

Technical Specification:

Design Standard: GB/T3036-1994 Type A/AS

Test Standard: GB600

Applicable Medium: sea water, fresh water, air, crude/refined oil ($t \leq 70^\circ\text{C}$)

Main Material:

1-Body: Cast Iron, Ductile Iron, Cast Steel, Bronze, Aluminum Alloy

2-Disc: WCB with galv, Stainless Steel, Bronze

3-Pin: Stainless Steel

4-Seat: NBR, EPDM, CR, FPM, VITON, PTFE

5-Stem: Stainless Steel

Main Size:

Nomina Pressure ^l	Norminal Diameter	Structure & Flange Dimension												Hole of Bolt					
		ISO, JIS, GB			ISO			JIS			GB(GB569-65)			ISO		JIS		GB	
Mpa	A	B	C	D	D2	D3	D	D2	D3	D	D2	D3	N	M	N	M	N	M	

1.0	50	27 3	16 1	3 2	43	12 5	10 2	40	12 0	88	43	10 3	84	4	M1 6	4	M1 6	6	16
	65	29 6	17 5	3 2	46	14 5	12 2	40	14 0	11 2	46	12 3	10 4	4	M1 6	4	M1 6	6	16
	80	30 8	18 1	3 2	46	16 0	13 3	60	15 0	12 5	46	13 8	11 8	8	M1 6	8	M1 6	8	16
	100	34 6	20 0	3 2	52	18 0	15 8	60	17 5	14 4	52	15 8	13 8	8	M1 6	8	M1 6	8	M1 4
	125	37 2	21 3	3 2	56	21 0	18 4	60	21 0	17 8	56	18 3	16 4	8	M1 6	8	M2 0	1 0	M1 4
	150	39 7	22 6	3 2	56	24 0	21 2	70	24 0	20 7	56	20 8	19 0	8	M2 0	8	M2 0	1 2	M1 4
	200	48 0	26 0	4 5	60	29 5	26 8	80	29 0	26 0	60	27 3	25 0	8	M2 0	1 2	M2 0	1 2	M1 6
	250	54 0	29 2	4 5	68	35 0	32 0	90	35 5	31 6	68	33 6	31 0	1 2	M2 0	1 2	M2 2	1 4	M2 0
	300	62 4	33 7	4 5	78	40 0	37 0	90	40 0	36 1	78	39 1	36 4	1 2	M2 0	1 6	M2 2	1 6	M2 0
	350	68 0	36 8	4 5	78	46 0	43 0	10 0	44 5	40 4	78	44 1	41 4	1 6	M2 0	1 6	M2 2	1 8	M2 0
	400	76 3	40 0	5 1	10 2	51 5	48 2	11 0	51 0	46 2	10 2	49 6	46 6	1 6	M2 4	1 6	M2 4	1 8	M2 4