

GB MARINE BUTTERFLY VALVE

# Marine Center-Pivoted Worm Manual Lug Butterfly Valve

ISO9001 Supplier

Class Certificate

Export Supply

Marine Center-Pivoted Worm Manual Lug Butterfly Valve is operated by worm gear, used to adjust the flow rate, open and close the pipe system in the marine pipe system. Technical Specification: Design Stand...



### Key Highlights

Category	GB Marine Butterfly Valve
Standard	JIS
Material	Cast Iron, Cast Steel, Bronze
Weight / Size	Stainless Steel Main Size:
Certificate	CCS, BV, ABS, GL, LR, DNV, NK,RINA, KR,IRS

We can supply according to your requirement, drawings, class certificate needs, and delivery schedule.

### Technical Specifications

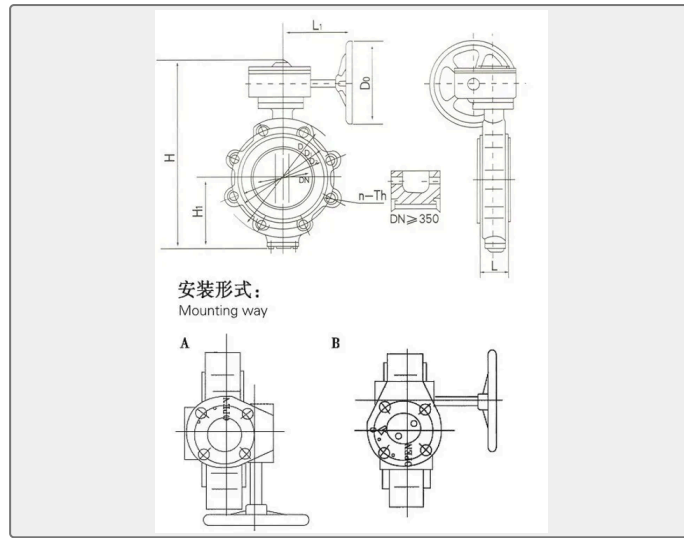
Category	GB Marine Butterfly Valve	Model / SKU	Marine-Center-Pivoted-Worm-Manual-Lug-Butterfly-Valve
Standard	JIS	Material	Cast Iron, Cast Steel, Bronze
Weight / Size	Stainless Steel Main Size:	Certificate	CCS, BV, ABS, GL, LR, DNV, NK,RINA, KR,IRS
Warranty	12 Months unless specified otherwise	Origin	China

**CONTENTS**

- China Marine Center-Pivoted Worm Manual Lug Butterfly Valve:
- Main Material:
- Technical Specification:
- Main Size:



# China Marine Center-Pivoted Worm Manual Lug Butterfly Valve:



Marine Center-Pivoted Worm Manual Lug Butterfly Valve is operated by worm gear, used to adjust the flow rate, open and close the pipe system in the marine pipe system.

## Technical Specification:

Design Standard: GB/T3036-1994 Type B/BS

Test Standard: GB600

Applicable Medium: sea water, fresh water, air, crude/refined oil ( $t \leq 70^\circ\text{C}$ )

## Main Material:

1-Body: Cast Iron, Ductile Iron, Cast Steel, Bronze, Aluminum Alloy

2-Disc: WCB with galv, Stainless Steel, Bronze

3-Pin: Stainless Steel

4-Seat: NBR, EPDM, CR, FPM, VITON, PTFE

5-Stem: Stainless Steel

## Main Size:

Nominal Pressure Mpa	Nominal diameter	Structure & Flange Dimension																Hole of Bolt					
		ISO、JIS、GB				ISO				JIS				GB(GB569-65)				ISO		JIS		GB	
		H	H1	L	D	L	D	D1	D2	L	D	D1	D2	L	D	D1	D2	n	Th	n	Th	n	Th



1.0	50	28 0	80	1 6 0	16 0	4 3	16 5	12 5	10 2	4 0	15 5	12 0	88	4 3	13 5	10 3	84	4	M 16	4	M 16	6	16
	65	29 5	90	1 6 0	16 0	4 6	18 5	14 5	12 2	4 0	17 5	14 0	11 2	4 6	15 5	12 3	10 4	4	M 16	4	M 16	6	16
	80	34 0	12 0	1 6 0	16 0	4 6	20 0	16 0	13 3	6 0	18 5	15 0	12 5	4 6	17 0	13 8	11 8	8	M 16	8	M 16	8	16
	100	36 0	13 0	1 6 0	16 0	5 2	22 0	18 0	15 8	6 0	21 0	17 5	14 4	5 2	19 0	15 8	13 8	8	M 16	8	M 16	8	M 14
	125	39 5	15 0	1 6 0	16 0	5 6	25 0	21 0	18 4	6 0	25 0	21 0	17 8	5 6	21 5	18 3	16 4	8	M 16	8	M 20	1 0	M 14
	150	43 0	16 5	1 8 0	22 0	5 6	28 5	24 0	21 2	7 0	28 0	24 0	20 7	5 6	24 0	20 8	19 0	8	M 20	8	M 20	1 2	M 14
	200	48 5	19 5	1 8 0	22 0	6 0	34 0	29 5	26 8	8 0	33 0	29 0	26 0	6 0	31 0	27 3	25 0	8	M 20	1 2	M 20	1 2	M 16
	250	57 0	22 5	2 1 0	30 0	6 8	39 5	35 0	32 0	9 0	40 0	35 5	31 6	6 8	38 0	33 6	31 0	1 2	M 20	1 2	M 22	1 4	M 20
	300	63 0	25 0	2 1 0	30 0	7 8	44 5	40 0	37 0	9 0	44 5	40 0	36 1	7 8	43 5	39 1	36 4	1 2	M 20	1 6	M 22	1 6	M 20
	350	73 0	28 0	2 7 5	38 0	7 8	50 5	46 0	43 0	1 0	49 0	44 5	40 4	7 8	48 5	44 1	41 4	1 6	M 20	1 6	M 22	1 8	M 20
	400	80 0	31 0	2 7 5	38 0	1 0	56 5	51 5	48 2	1 1	56 0	51 0	46 2	1 0	54 5	49 6	46 6	1 6	M 24	1 6	M 24	1 8	M 24



Marine Center-Pivoted Worm Manual Lug Butterfly Valve



Marine Center-Pivoted Worm Manual Lug Butterfly Valve